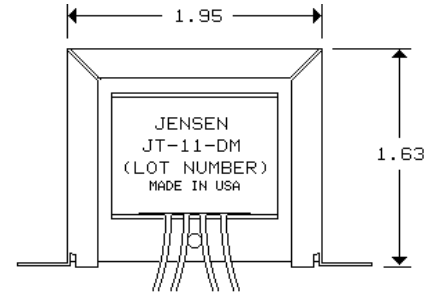


## Line Output Transformer

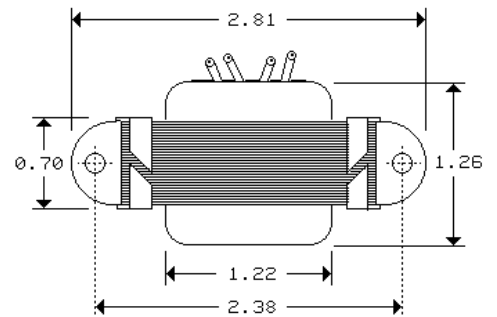
1:1 BIFILAR WINDINGS

- Distortion 0.004% typ at 20 Hz and +4 dBu output level
- Wide bandwidth: -3 dB at 0.10 Hz and 15 MHz
- Drives 600 Ω loads to levels up to +22 dBu at 20 Hz
- Excellent time domain performance: DLP 0.3° typ 20 Hz to 20 kHz
- Insertion loss only 1.1 dB when driving 600 Ω load

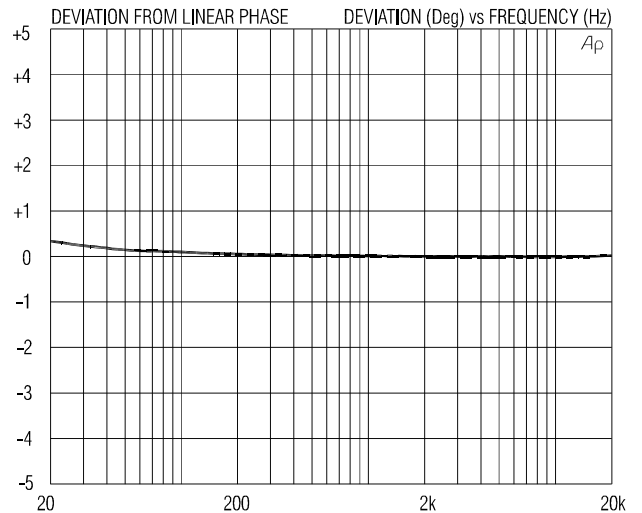
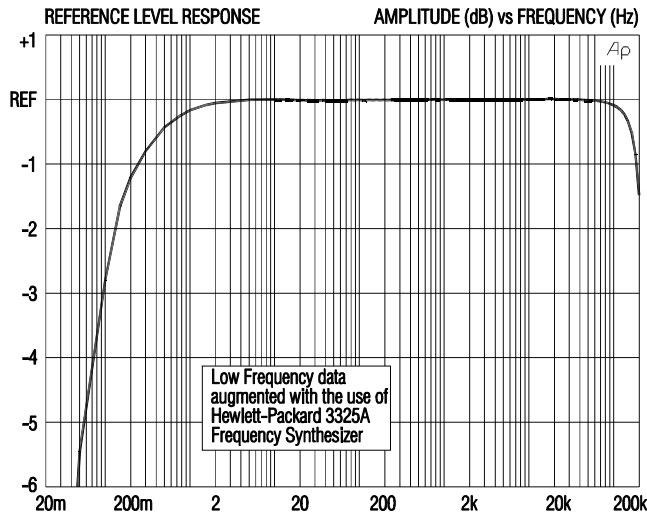
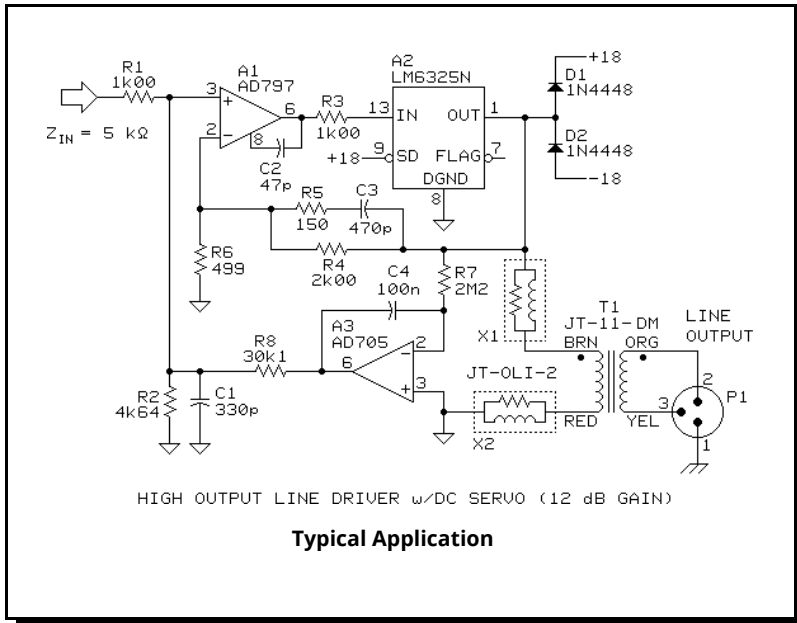
This transformer is designed for very high performance line output stages. Specially processed 80% nickel core alloy is used for lowest possible harmonic distortion of high level low frequency signals. For best performance, driving signals should be free of DC and source impedance kept as low as possible.

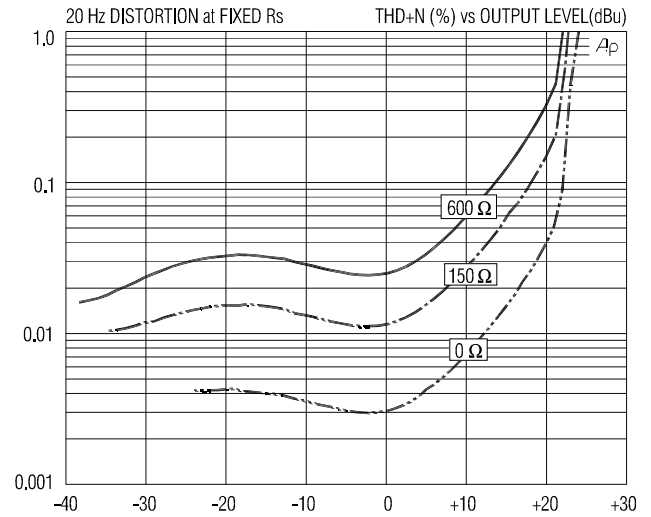
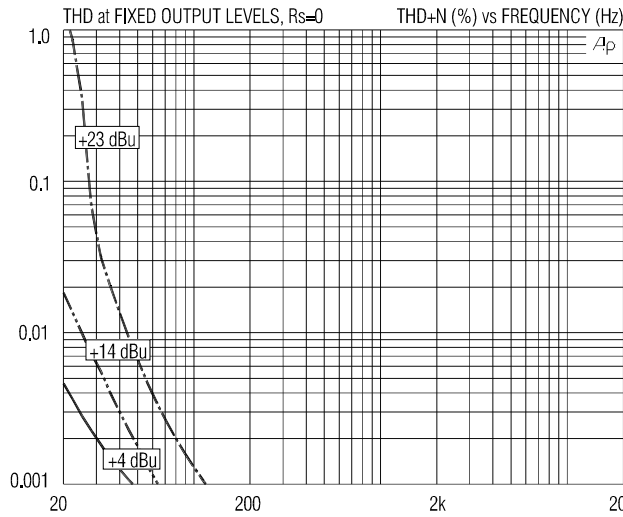


#26 AWG (7x34) UL STYLE 1061 COLOR CODED WIRE LEADS, 8" MINIMUM LENGTH



Ø.187 DIA MOUNTING HOLES (2 PLACES) FOR USE WITH #8 MOUNTING HARDWARE

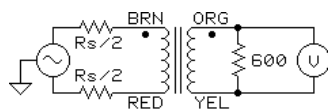




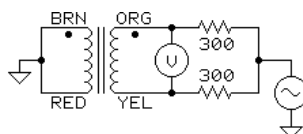
**JT-11-DMCF SPECIFICATIONS** (all levels are output unless noted)

PARAMETER	CONDITIONS	MINIMUM	TYPICAL	MAXIMUM
Input impedance, $Z_i$	20 Hz to 20 kHz, 0 dBu, test circuit 3	670 $\Omega$	680 $\Omega$	690 $\Omega$
Voltage gain	1 kHz, 0 dBu, test circuit 1, $R_s=0 \Omega$	-1.2 dB	-1.1 dB	-0.9 dB
Magnitude response, ref 1 kHz	20 Hz, 0 dBu, test circuit 1, $R_s=0 \Omega$	-0.1 dB	-0.02 dB	$\pm 0.0$ dB
	20 kHz, 0 dBu, test circuit 1, $R_s=0 \Omega$	-0.1 dB	$\pm 0.00$ dB	+0.1 dB
Deviation from linear phase (DLP)	20 Hz to 20 kHz, 0 dBu, test circuit 1, $R_s=0 \Omega$		+0.3/-0°	$\pm 1.0^\circ$
Bandwidth	LF -3 dB re 1 kHz, test circuit 1, $R_s=0 \Omega$		0.10 Hz	
	HF -3 dB re 1 kHz, test circuit 1, $R_s=0 \Omega$		15 MHz	
Distortion (THD)	1 kHz, +4 dBu, test circuit 1, $R_s=0 \Omega$		<0.001%	
	20 Hz, +4 dBu, test circuit 1, $R_s=0 \Omega$		0.004%	0.03%
Maximum output level	20 Hz, 1% THD, test circuit 1, $R_s=0 \Omega$	+20 dBu	+22 dBu	
Common-mode rejection ratio (CMRR)	60 Hz, test circuit 2		110 dB	
	3 kHz, test circuit 2	75 dB	85 dB	
Output impedance, $Z_o$	20 Hz to 20 kHz, 0 dBu, test circuit 4		80 $\Omega$	
DC resistance	each winding		40 $\Omega$	
Capacitance	winding to winding, 1 kHz		28 nF	
	winding to frame, 1 kHz		70 pF	
Turns ratio		0.999:1	1.000:1	1.001:1
Temperature range	operation or storage	0° C		70° C
Breakdown voltages 60 Hz, 1 minute test duration (see IMPORTANT NOTE below)	winding to winding	250 V RMS		
	winding to frame	500 V RMS		

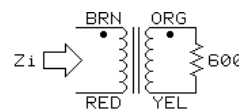
**IMPORTANT NOTE:** This device is NOT intended for use in life support systems or any application where its failure could cause injury or death. The breakdown voltage specification is intended to insure integrity of internal insulation systems; continuous operation at these voltages is NOT recommended. Consult our applications engineering department if you have special requirements.



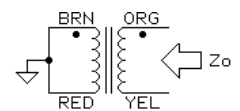
TEST CIRCUIT 1



TEST CIRCUIT 2



TEST CIRCUIT 3



TEST CIRCUIT 4

All minimum and maximum specifications are guaranteed. Unless noted otherwise, all specifications apply at 25°C. Specifications subject to change without notice. All information herein is believed to be accurate and reliable, however no responsibility is assumed for its use nor for any infringements of patents which may result from its use. No license is granted by implication or otherwise under any patent or patent rights of Jensen Transformers, Inc.