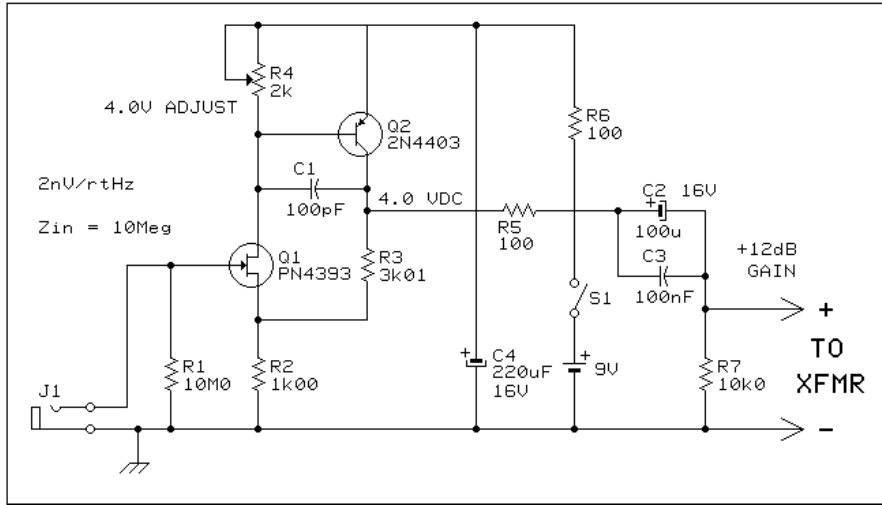
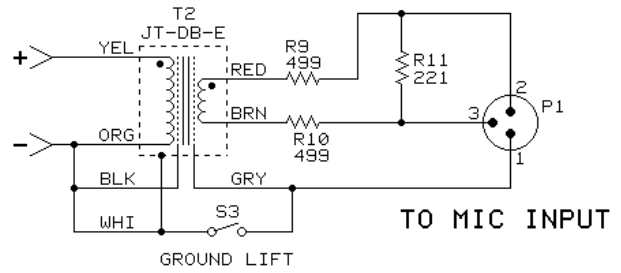
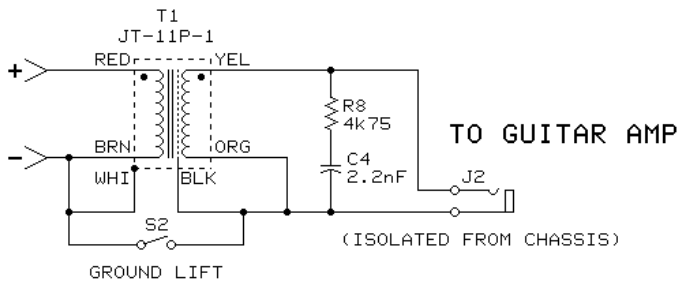


## HIGH IMPEDANCE PIEZO AMPLIFIER



**HIGH IMPEDANCE BUFFER WITH 12dB GAIN**

**NOTES:**

- 1) EITHER OR BOTH OUTPUT OPTIONS MAY BE USED.
- 2) IF ISOLATION IS NOT REQUIRED, BUFFER MAY BE CONNECTED DIRECTLY TO 1/4" OUTPUT JACK.
- 3) C1, C3 AND C4 ARE 50V POLYPROPYLENE.

© COPYRIGHT 2003, JENSEN TRANSFORMERS, INC.

<b>jensen</b>	<b>AS098</b>
04/30/03	
7135 HAYVENHURST AVE. VAN NUYS, CALIFORNIA 91406 (818) 374-5857	