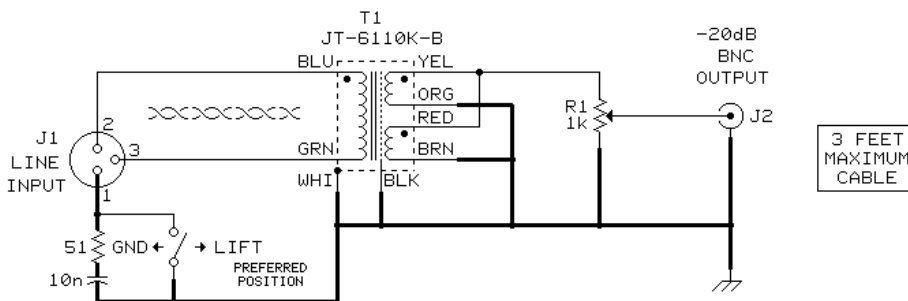


**JT-6110K-B CONVERTS HIGH IMPEDANCE INPUT  
TO X10 BALANCED AUDIO INPUT**



3 FEET  
MAXIMUM  
CABLE

**NOTES:**

- 1) TIGHTLY TWIST TRANSFORMER LEADS TO AVOID MAGNETIC PICK-UP FROM NEARBY DEVICES.
- 2) R1 MAY BE REPLCED WITH A FIXED VOLTAGE DIVIDER CONSISTING OF 174 AND 825 Ohm RESISTORS. THIS WILL BE WITHIN 0.1 dB OF -20dB.
- 3) 1k Ohm DAMPING RESULTS IN MAXIMALLY FLAT RESPONSE, BUT WILL EXHIBIT SOME RINGING ON SQUAREWAVE SIGNALS.

**SPECIFICATIONS:**

AMPLITUDE RESPONSE = +/- 0.1dB 10Hz TO 100KHz  
 INPUT IMPEDANCE > 50k Ohms 20Hz TO 20kHz  
 MAX INPUT LEVEL = +26dBu AT 20Hz, +30dBu @ 30Hz  
 OUTPUT IMPEDANCE = 166 Ohms

<b>jensen</b>	AS090
	06/18/99
7135 HAYVENHURST AVE. VAN NUYS, CALIFORNIA 91406 (818) 374-5857	