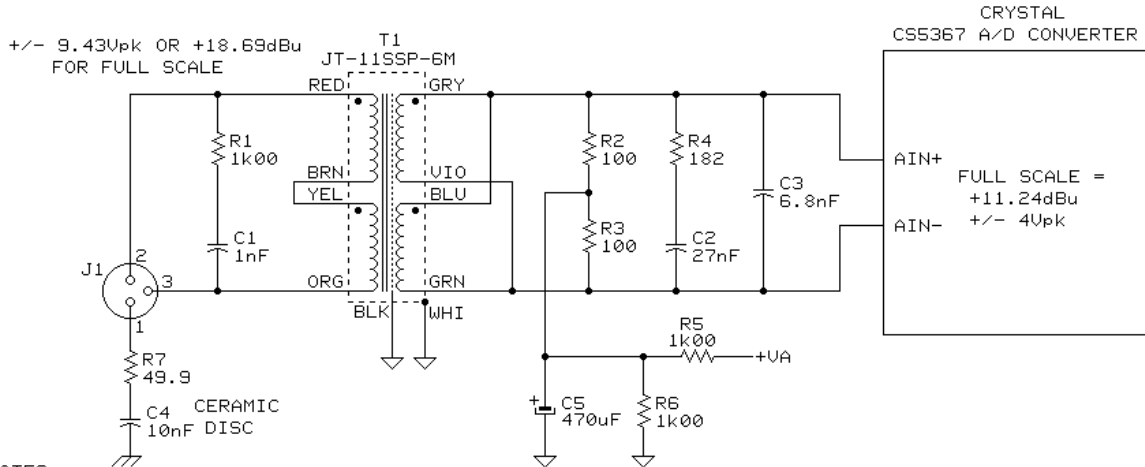


# JT-11SSP-6M AS INPUT TRANSFORMER FOR CRYSTAL CS5367 A/D CONVERTER



## NOTES:

- 1) THE INPUT IMPEDANCE OF THIS CIRCUIT REACHES A LOW OF APPROXIMATELY 500 Ohms AT 50kHz. IT REQUIRES A PROFESSIONAL TYPE, HIGH CURRENT, LOW OUTPUT IMPEDANCE (100 Ohms OR LESS) SOURCE FOR PROPER OPERATION.
- 2) THE IMPEDANCE PRESENTED TO THE A/D CONVERTER IS APPROXIMATELY 40 Ohms, RISING TO A HIGH OF 80 Ohms AT APPROXIMATELY 120kHz.
- 3) BANDWIDTH IS -3dB AT 0.4Hz AND 100kHz, AND IS APPROXIMATELY -0.2dB AT 20kHz WHEN DRIVEN FROM 50 Ohm SOURCE.
- 4) C1, C2, AND C3 SHOULD BE POLYSTYRENE OR POLYPROPYLENE TYPE CAPACITORS.
- 5) R1 THROUGH R7 SHOULD BE 1% METAL FILM TYPES.
- 6) 1nF = 1000pF    1k00 = 1.00k

<b>jensen</b>	AS086
	10/2/97
7135 HAYVENHURST AVE. VAN NUYS, CALIFORNIA 91406 (818) 374-5857	