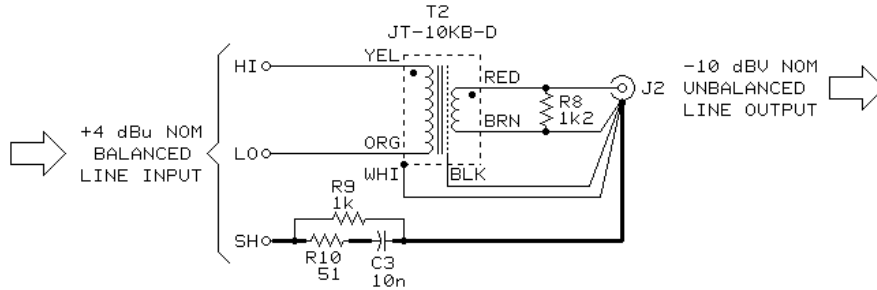
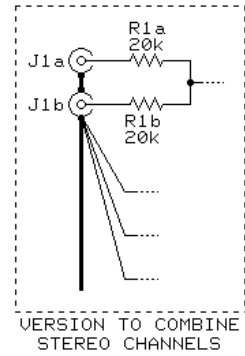
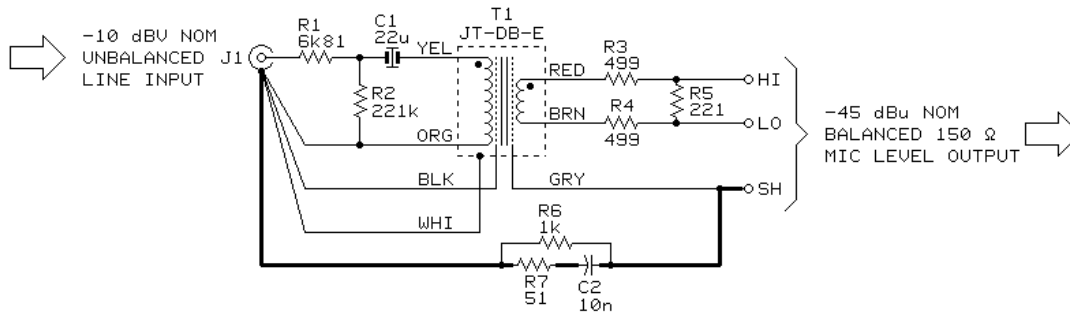


JT-10KB-D & JT-DB-E PROVIDE "J-BOX" CONSUMER to STUDIO INTERFACE



NOTES

1. R1 THRU R5 ARE ±1% 1/4w METAL FILM RESISTORS, RATED IN OHMS (6k81 = 6.81 kΩ)
2. R6 THRU R10 ARE ±5% 1/4w CARBON FILM RESISTORS, RATED IN OHMS (1k2 = 1.2 kΩ)
3. C1 IS ±20%, 25 V BI-POLAR ELECTROLYTIC CAPACITOR, PANASONIC ECE-A1EN220S OR EQUIV.
4. C2 AND C3 ARE ±20%, 100 V OR HIGHER DISC CERAMIC CAPACITORS
5. WIRES SHOWN AS — SHOULD BE AS SHORT AND DIRECT AS POSSIBLE
6. RCA JACKS SHOULD BE INSULATED FROM J-BOX PANEL UNLESS BOX ELECTRICALLY "FLOATS"

© COPYRIGHT 1997, JENSEN TRANSFORMERS, INC.

<b>jensen</b>	AS081
	01/17/97
7135 HAYVENHURST AVE. VAN NUYS, CALIFORNIA 91406 (818) 374-5857	