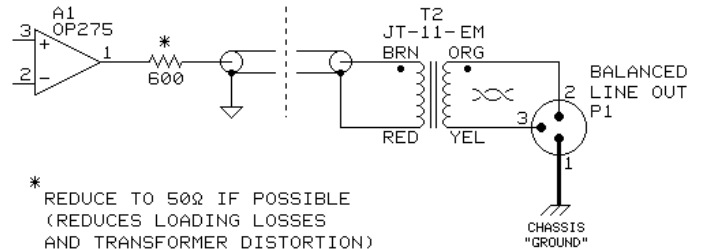
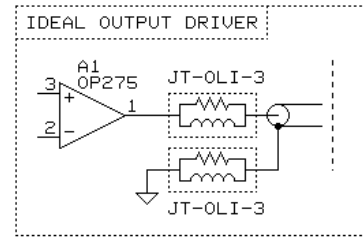
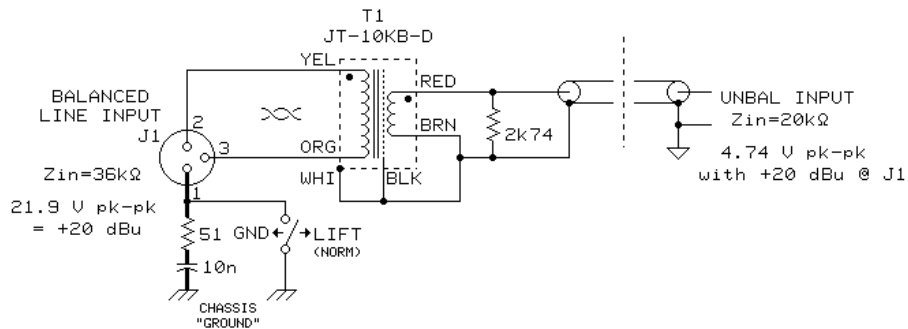


# BALANCED LINE INPUTS/OUTPUTS FOR SILICON GRAPHICS WORKSTATION



## NOTES

- ALL RESISTORS ARE  $\pm 1\%$  1/4w METAL FILM TYPES, ROEDERSTEIN MK2-1 OR EQUIVALENT
- ALL RESISTORS IN OHMS ( 2k74 = 2.74k )
- USE OF GOLD PLATED CONTACTS IN XLR CONNECTORS IS HIGHLY RECOMMENDED
- TIGHTLY TWIST LEADS AS SHOWN  $\infty$
- KEEP ALL WIRING AS SHORT AS POSSIBLE

<b>jensen</b>	<b>AS075</b>
	01/14/98
7135 HAYVENHURST AVE. VAN NUYS, CALIFORNIA 91406 (818) 374-5857	