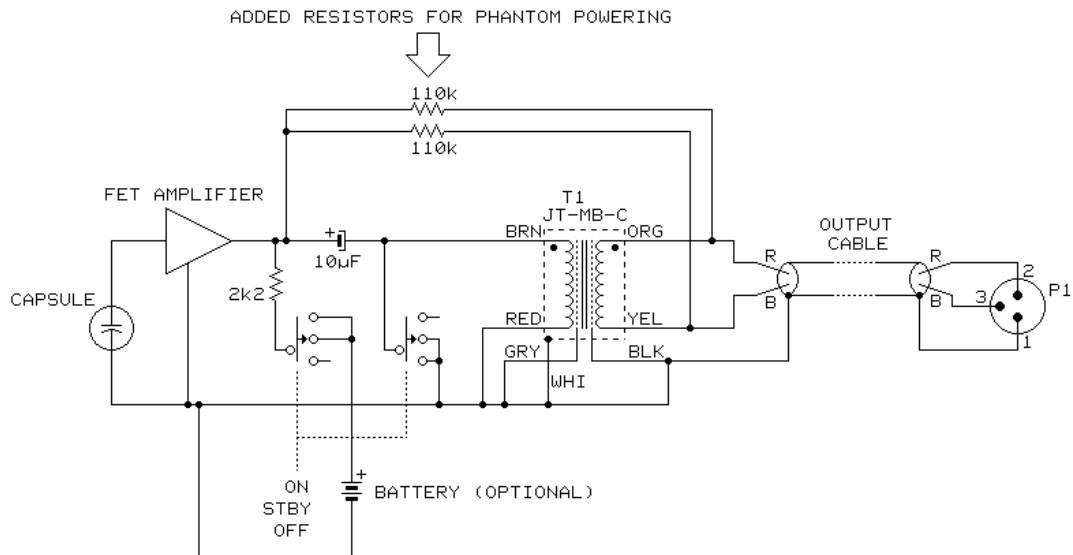


JT-MB-C USED TO PHANTOM POWER THE REALISTIC PZM MIC

THE JENSEN TRANSFORMER RESULTS IN WIDER BANDWIDTH AND LOWER DISTORTION THAN THE ORIGINAL, AND WILL EASILY WITHSTAND PHANTOM POWER VOLTAGES.



SCHEMATIC IS PER ORIGINAL, EXCEPT THAT RESISTORS ARE ADDED SO THAT +48 VOLT PHANTOM POWER CAN BE USED TO ELIMINATE BATTERY DRAIN. ALTHOUGH THE CIRCUIT WILL OPERATE OK WITHOUT A BATTERY IN PLACE, A GOOD BATTERY MAY BE KEPT INSTALLED AND THERE WILL BE NO DRAIN ON IT AS LONG AS PHANTOM POWER IS AVAILABLE. WITH A GOOD BATTERY INSTALLED, THIS MODIFICATION WILL NOT INTERFERE WITH NORMAL, NON-PHANTOM, OPERATION.

© COPYRIGHT 1998, JENSEN TRANSFORMERS, INC.

jensen	AS070
	01/14/98
7135 HAYVENHURST AVE. VAN NUYS, CALIFORNIA 91406 (818) 374-5857	