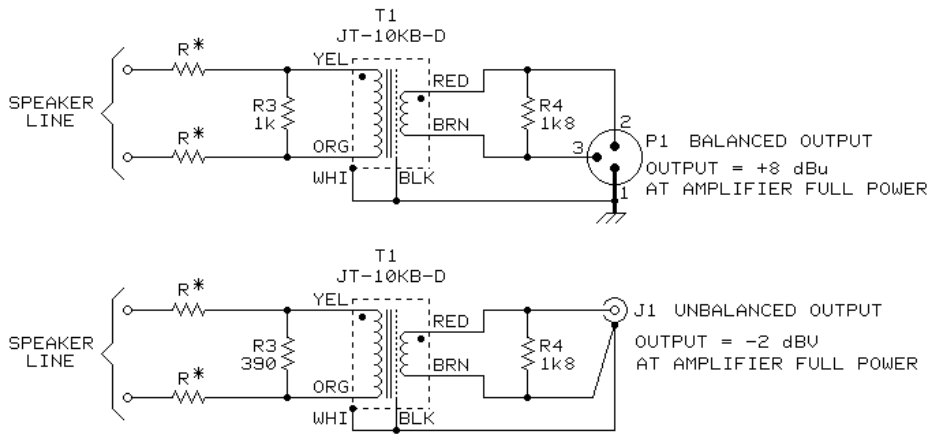


# JT-10KB-D ISOLATES AND CONVERTS SPEAKER DRIVE TO LINE LEVEL



	AMPLIFIER RATED WATTS		R* VALUE
	@ 8Ω	@ 4Ω	
70V	500	1000	3.0 kΩ
	200	400	1.8 kΩ
25V	100	200	1.0 kΩ
	50	100	620 Ω
	20	40	200 Ω
	≤10	≤20	0 Ω

## NOTES

1. USE BALANCED CIRCUIT FOR PRO EQUIPMENT WITH NOMINAL 0 dBu REF LEVEL;  
USE UNBALANCED CIRCUIT FOR CONSUMER GEAR WITH NOMINAL -10 dBu REF LEVEL.
2. ALL RESISTORS ARE ±5% OR BETTER, 1/4 WATT TYPES.
3. CABLE CONNECTED TO P1 or J1 SHOULD BE UNDER 10 FEET TO MAINTAIN GOOD HIGH FREQUENCY RESPONSE.

<b>jensen</b>	<b>AS068</b>
	09/16/97
7135 HAYVENHURST AVE. VAN NUYS, CALIFORNIA 91406 (818) 374-5857	