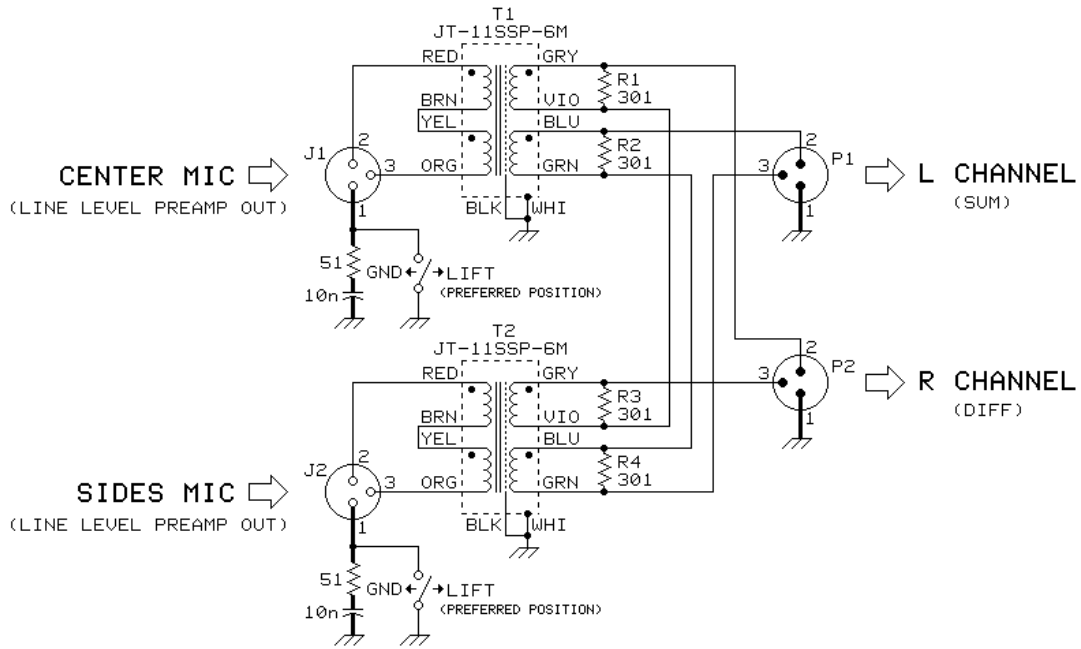


JT-11SSP-6M PASSIVE STEREO MATRIX FOR M-S MIC TECHNIQUE



NOTES:

1. INPUT IMPEDANCE AT J1 AND J2 IS 750 Ω .
2. FOR OPTIMUM PERFORMANCE, LOAD IMPEDANCES AT J1 AND J2 SHOULD BE EQUAL.
3. NETWORKS AT J1/J2 PIN 1 ARE TO DAMP CABLE SHIELD RESONANCES AT RF.

jensen	AS065
	10/31/96
7135 HAYVENHURST AVE. VAN NUYS, CALIFORNIA 91406 (818) 374-5857	