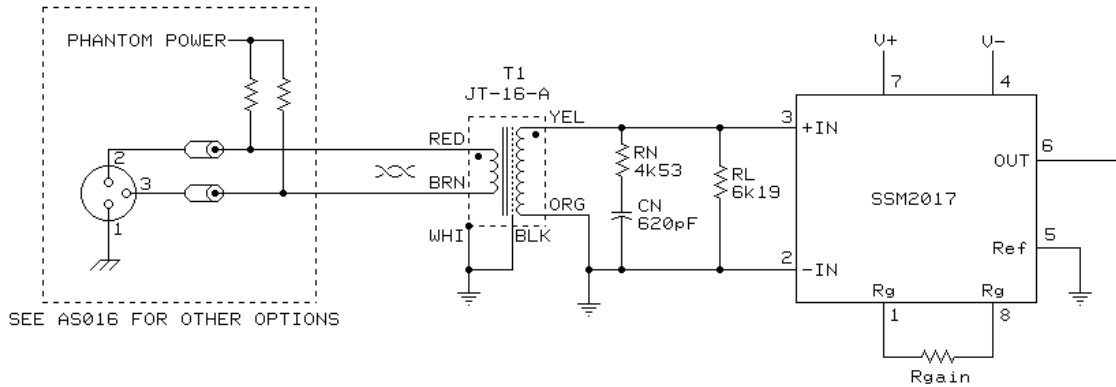


JT-16-A IMPROVES PERFORMANCE OF SSM2017 MIC PREAMP IC

Provides 5 to 6 dB better S/N, better common-mode "hum & buzz" rejection and increased RFI immunity



$$\text{Gain} = \frac{10k \text{ Ohms}}{R_{\text{gain}}} + 1$$

NOTES

1. ALL RESISTORS ARE ±1% 1/4w METAL FILM TYPES, ROEDERSTEIN MK2-1 OR EQUIVALENT VALUES IN OHMS (6k19 = 6.19k, 30r1 = 30.1)
2. RN, CN, AND RL ARE AS SPECIFIED ON TRANSFORMER DATA SHEET
3. USE OF GOLD PLATED CONTACTS IN XLR CONNECTORS IS HIGHLY RECOMMENDED
4. TIGHTLY TWIST LEADS SHOWN AS >∞
KEEP ALL WIRING AS SHORT AS POSSIBLE
5. BYPASS IC POWER PINS WITHIN 1/4" OF PIN WITH HIGH QUALITY CAPACITORS
GROUND PLANE CONSTRUCTION IS HIGHLY RECOMMENDED

jensen	AS064
	07/02/96
7135 HAYVENHURST AVE. VAN NUYS, CALIFORNIA 91406 (818) 374-5857	