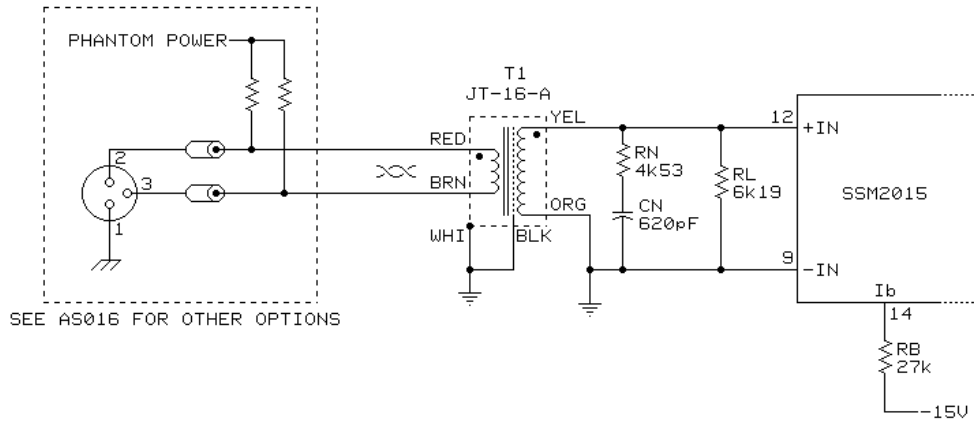


JT-16-A IMPROVES PERFORMANCE OF SSM2015 MIC PREAMP IC

Provides 5 to 6 dB better S/N, better common-mode "hum & buzz" rejection and increased RFI immunity



NOTES

1. ALL RESISTORS ARE $\pm 1\%$ 1/4w METAL FILM TYPES, ROEDERSTEIN MK2-1 OR EQUIVALENT VALUES IN OHMS (6k19 = 6.19k, 30r1 = 30.1)
2. RN, CN, AND RL ARE AS SPECIFIED ON TRANSFORMER DATA SHEET
3. USE OF GOLD PLATED CONTACTS IN XLR CONNECTORS IS HIGHLY RECOMMENDED
4. TIGHTLY TWIST LEADS SHOWN AS \times KEEP ALL WIRING AS SHORT AS POSSIBLE
5. BYPASS IC POWER PINS WITHIN 1/4" OF PIN WITH HIGH QUALITY CAPACITORS GROUND PLANE CONSTRUCTION IS HIGHLY RECOMMENDED

© COPYRIGHT 1994, JENSEN TRANSFORMERS, INC.

jensen	AS063
	02/17/94
7135 HAYVENHURST AVE. VAN NUYS, CALIFORNIA 91406 (818) 374-5857	