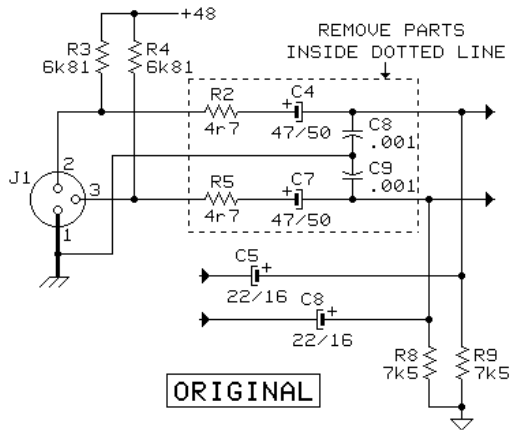
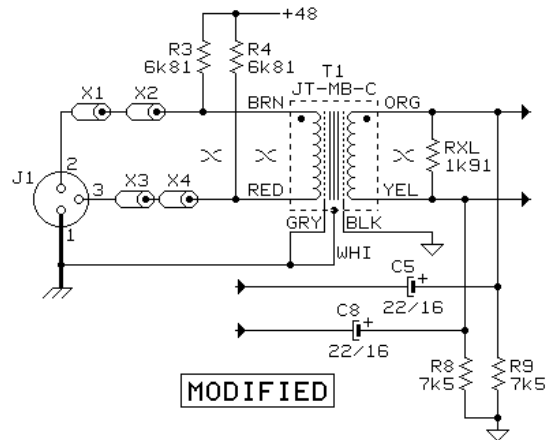


JT-MB-C MODIFICATION FOR MIC INPUTS OF MACKIE 1604 MIXER

EXTENDS COMMON-MODE REJECTION VOLTAGE RANGE TO ± 300 V and VIRTUALLY ELIMINATES RF INTERFERENCE PROBLEMS



ORIGINAL



MODIFIED

NOTES

1. RXL IS A $\pm 1\%$ $1/4\omega$ METAL FILM TYPE, ROEDERSTEIN MK2-1 OR EQUIVALENT, VALUE IN OHMS (1k91 = 1.91k)
2. TIGHTLY TWIST LEADS AS SHOWN \times IN PATH FROM J1 TO T1 TO MINIMIZE ELECTROMAGNETIC PICKUP
3. KEEP GRY, BLK, AND WHI LEADS SHORT AND CONNECT AS SHOWN (DO NOT TWIST WITH OTHER LEADS)
4. INSTALL FERRITE BEADS, JENSEN #FB-2, VERY CLOSE TO J1 FOR BEST FM & UHF REJECTION
5. CONNECT PIN 1 OF EACH XLR TO METAL ENCLOSURE AS DIRECTLY AS POSSIBLE (SHORT HEAVY GAUGE WIRE)
6. WHITE WIRE IS CONNECTED TO TRANSFORMER CASE (CASE NEED NOT BE INSULATED FROM ENCLOSURE)

jensen	AS058
	08/08/94
7135 HAYVENHURST AVE. VAN NUYS, CALIFORNIA 91406 (818) 374-5857	

© COPYRIGHT 1994, JENSEN TRANSFORMERS, INC.