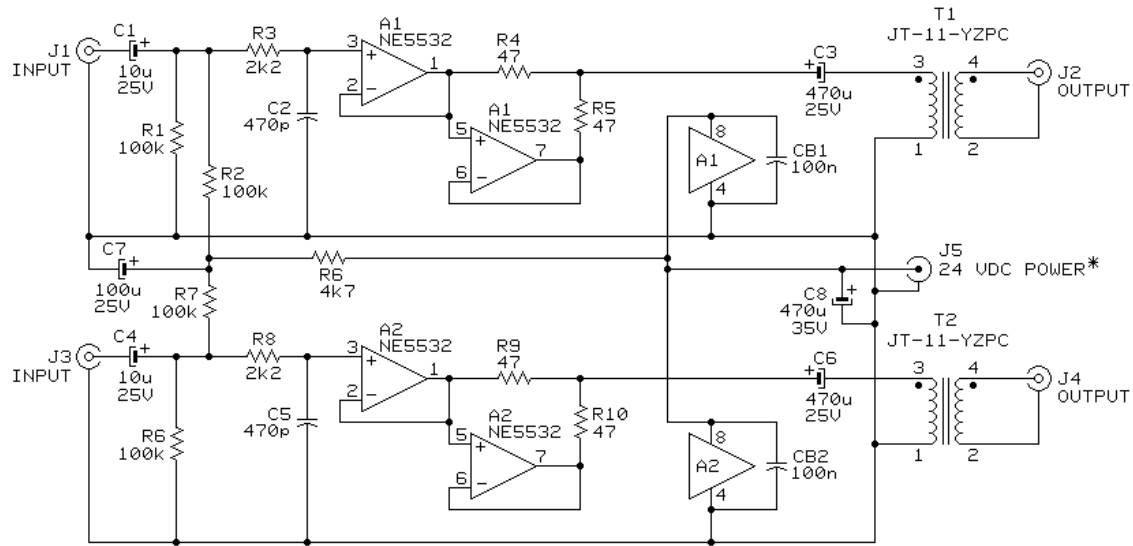


# JT-11-YZPC IN UNBALANCED LONG LINE DRIVER/ISOLATOR

DRIVES OUTPUT CABLES UP TO 500 FEET LONG



INPUT IMPEDANCE = 50 k $\Omega$   
 OUTPUT IMPEDANCE = 200  $\Omega$   
 VOLTAGE GAIN = UNITY (0 dB)  
 BANDWIDTH = -3 dB @ 1 Hz and 150 kHz  
 MAXIMUM INPUT/OUTPUT LEVEL = 6 VRMS (+18 dBu)  
 PEAK OUTPUT CURRENT =  $\pm 70$  mA  
 NOISE = -115 dBV (20 kHz BW)  
 GROUND NOISE REJECTION = 70 dB TYPICAL @ 50 Hz  
 (depends on output cable shield resistance)

\*Suggested Power Supply: CUI/Stack #DPD240040-P-6  
 2.5 mm, center positive female output connector  
 (Available from Digi-Key as catalog #T520-ND)

<b>jensen</b>	AS056
	10/25/96
7135 HAYVENHURST AVE. VAN NUYS, CALIFORNIA 91406 (818) 374-5857	

© COPYRIGHT 1996, JENSEN TRANSFORMERS, INC.