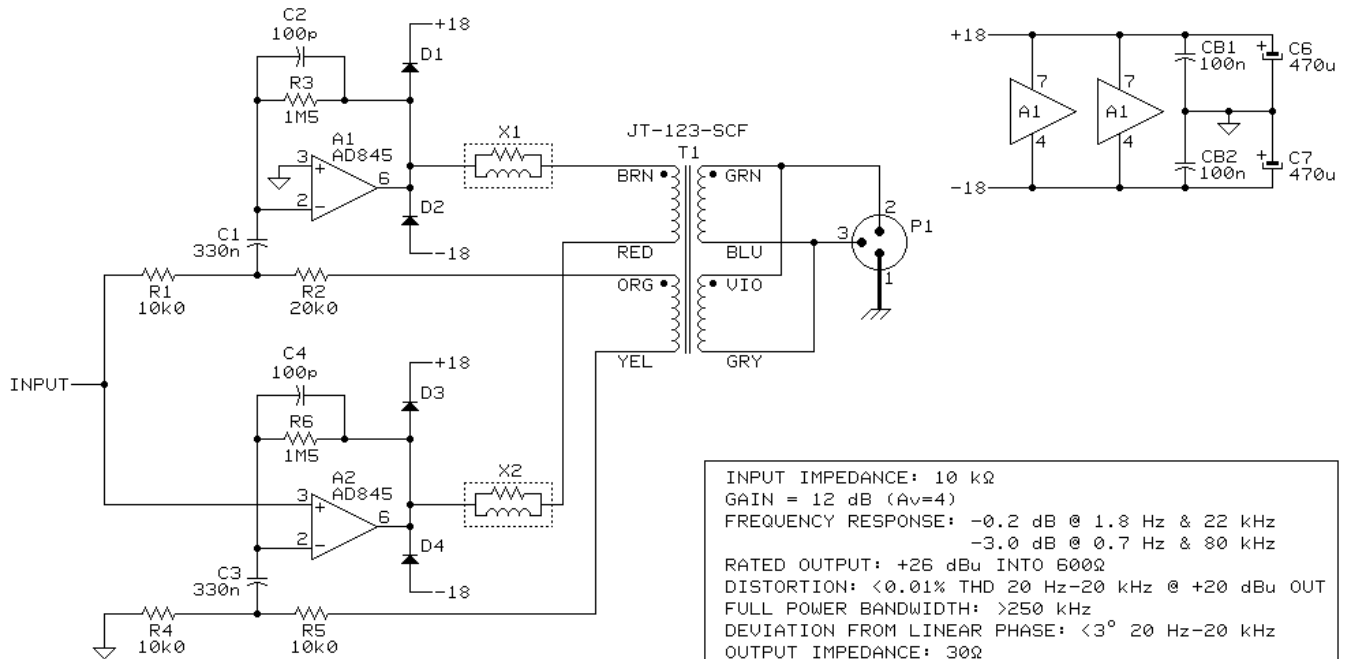


# JT-123-S DIFFERENTIAL LINE DRIVER WITH FEEDBACK AROUND THE TRANSFORMER

THIS DRIVER SUITABLE FOR LOADS OF 600Ω MINIMUM AND UP TO 50 FEET OF TYPICAL CABLE



INPUT IMPEDANCE: 10 kΩ  
 GAIN = 12 dB (Av=4)  
 FREQUENCY RESPONSE: -0.2 dB @ 1.8 Hz & 22 kHz  
 -3.0 dB @ 0.7 Hz & 80 kHz  
 RATED OUTPUT: +26 dBu INTO 600Ω  
 DISTORTION: <0.01% THD 20 Hz-20 kHz @ +20 dBu OUT  
 FULL POWER BANDWIDTH: >250 kHz  
 DEVIATION FROM LINEAR PHASE: <3° 20 Hz-20 kHz  
 OUTPUT IMPEDANCE: 30Ω  
 LONGITUDINAL BALANCE: BETTER THAN 1% TO 10 kHz

## NOTES:

1. RESISTORS ARE ±1% 1/4w METAL FILM TYPES, VALUES IN OHMS (10k0 = 10.0k, 1M5 = 1.5M)
2. ALL CAPACITORS ARE POLYPROPYLENE, POLYSTYRENE, OR NP0/C0G CERAMIC TYPES
3. X1 AND X2 ARE JENSEN #JT-OLI-2 LOAD ISOLATORS
4. USE GOOD HIGH FREQUENCY CONSTRUCTION TECHNIQUES. USE OF POWER & GROUND PLANES IS HIGHLY RECOMMENDED.
5. D1 THRU D4 ARE 1N4448 OR EQUIVALENT

<b>jensen</b>	<b>AS051</b>
	05/16/93
7135 HAYVENHURST AVE. VAN NUYS, CALIFORNIA 91406 (818) 374-5857	