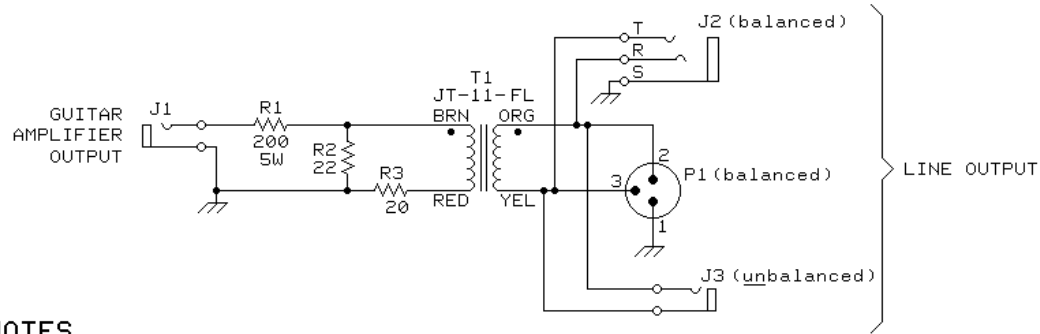


## JT-11-FL PROVIDES ISOLATED LINE OUTPUT FROM GUITAR AMP



### NOTES

If speaker is NOT also connected to the amplifier and it is a vacuum tube type,  
CONNECT A SUITABLE LOAD RESISTOR ACROSS J1. This will prevent possible amplifier damage.

Unnecessary output connectors may be deleted.

Balanced and Unbalanced outputs CANNOT be connected for use at the same time.

Line output level: +4 dBu with 12.7 VRMS at speaker (20 Watts into 8  $\Omega$ )  
+11 dBu with 28.3 VRMS at speaker (100 Watts into 8  $\Omega$ )

Additional load seen by guitar amplifier = 220  $\Omega$  (will not affect amplifier)

Driving source impedance at line output = 100  $\Omega$

R1 is a 5 watt wirewound type, Memcor-Truohm type SC5E or equivalent

R2 and R3 are 5% 1/4 watt general purpose carbon film types

J3, the unbalanced output jack, MUST be insulated from the chassis

Do not mount T1 near strong AC magnetic fields such as power transformers, CRT monitors, etc.

**jensen**

AS045

05/30/96

7135 HAYVENHURST AVE.  
VAN NUYS, CALIFORNIA 91406  
(818) 374-5857

© COPYRIGHT 1995, JENSEN TRANSFORMERS, INC.