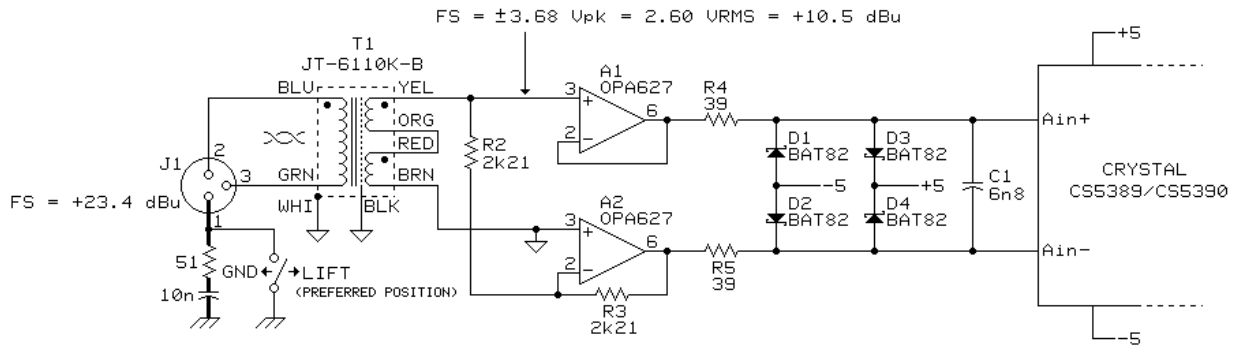


JT-6110K-B PROVIDES HIGH PERFORMANCE INPUT STAGE FOR CRYSTAL A/D CONVERTERS



NOTES

- INPUT DRIVING SIGNAL SHOULD HAVE LOW OUTPUT IMPEDANCE (UNDER 500Ω PREFERRED).
- INPUT IMPEDANCE AT J1 IS 36 kΩ.
- TIGHTLY TWIST LEADS AS SHOWN ∞∞
- KEEP ALL WIRING AS SHORT AS POSSIBLE, ESPECIALLY THAT SHOWN AS HEAVY LINES.
- ALL RESISTORS ARE ±1% 1/4w METAL FILM TYPES, ROEDERSTEIN MK2-1 OR EQUIVALENT.
- ALL RESISTORS IN OHMS, 2k21 = 2.21k
- USE OF GOLD PLATED CONTACTS IN ALL CONNECTORS IS HIGHLY RECOMMENDED.
- R1 AND C1 PROVIDE RF TERMINATION FOR THE CABLE SHIELD. FOR BEST CMRR PERFORMANCE, GROUND CABLE SHIELD (TO CHASSIS) AT SEND END ONLY AND "LIFT" AT RECEIVE END.
- (See "Balanced Lines in Audio - Fact, Fiction, and Transformers" by Bill Whitlock in the June '95 AES Journal for technical explanation)

jensen	AS043
	01/05/96
7135 HAYVENHURST AVE. VAN NUYS, CALIFORNIA 91406 (213) 876-0059	