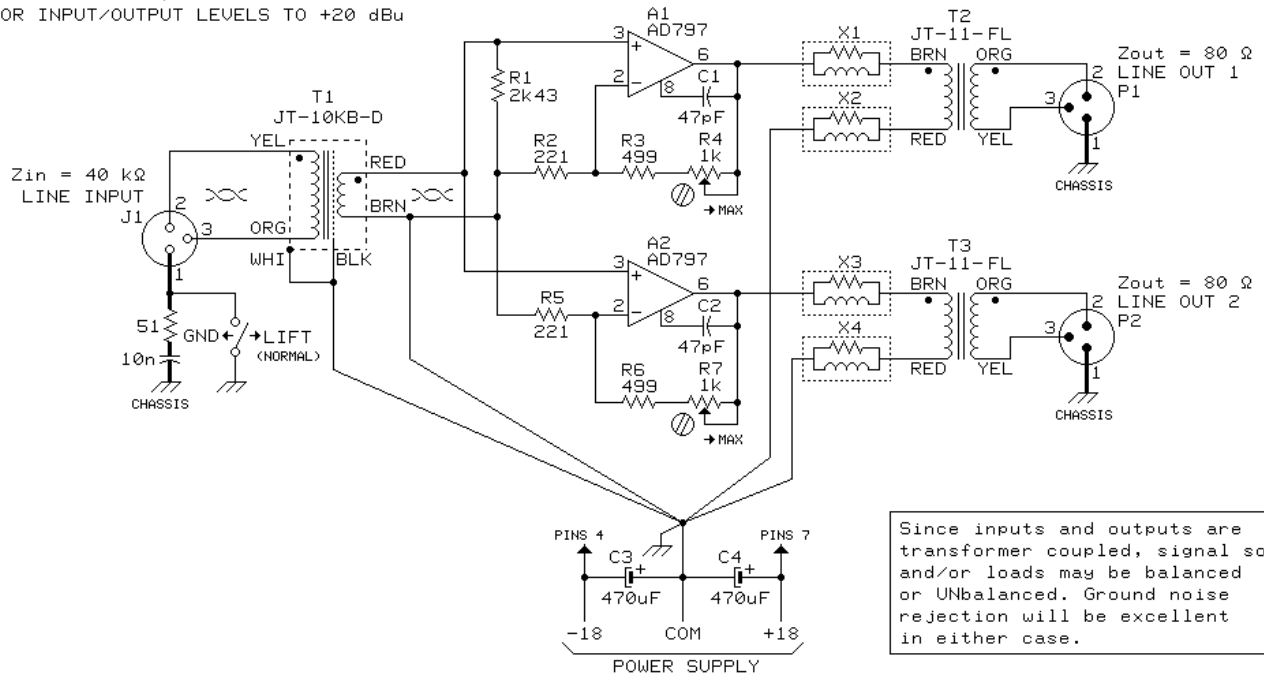


# JT-10KB-D USED IN LINE LEVEL 2-WAY "SPLITTER/ISOLATOR"

NOMINAL UNITY GAIN, ADJUSTABLE  $\pm 3$  dB WITH R4/R7  
 USE FOR INPUT/OUTPUT LEVELS TO +20 dBu



Since inputs and outputs are transformer coupled, signal source and/or loads may be balanced or UNbalanced. Ground noise rejection will be excellent in either case.

## NOTES

- A1 AND A2 ARE ANALOG DEVICES AD797JN WITH SMALL FINNED HEATSINK
- X1-X4 ARE OUTPUT LOAD ISOLATORS, JENSEN JT-OLI-2 OR EQUIVALENT
- ALL RESISTORS ARE  $\pm 1\%$  1/4w METAL FILM TYPES, ROEDERSTEIN MK2-1 OR EQUIVALENT
- ALL RESISTORS IN OHMS ( 6k19 = 6.19k, 30r1 = 30.1 )
- USE GROUNDING "STAR" CONNECTION SHOWN TO PREVENT INTERNAL GROUND "LOOPS"
- USE OF GOLD PLATED CONTACTS IN XLR CONNECTORS IS HIGHLY RECOMMENDED
- TIGHTLY TWIST LEADS AS SHOWN  $\infty$
- KEEP ALL WIRING AS SHORT AS POSSIBLE, ESPECIALLY THAT DRAWN WITH THICK LINES
- BYPASS IC POWER WITH HIGH QUALITY 0.1uF CAPACITORS MOUNTED VERY CLOSE TO IC PINS
- GROUND PLANE CONSTRUCTION IS HIGHLY RECOMMENDED

© COPYRIGHT 1994, JENSEN TRANSFORMERS, INC.

<b>jensen</b>	AS041
	11/18/96
7135 HAYVENHURST AVE. VAN NUYS, CALIFORNIA 91406 (818) 374-5857	