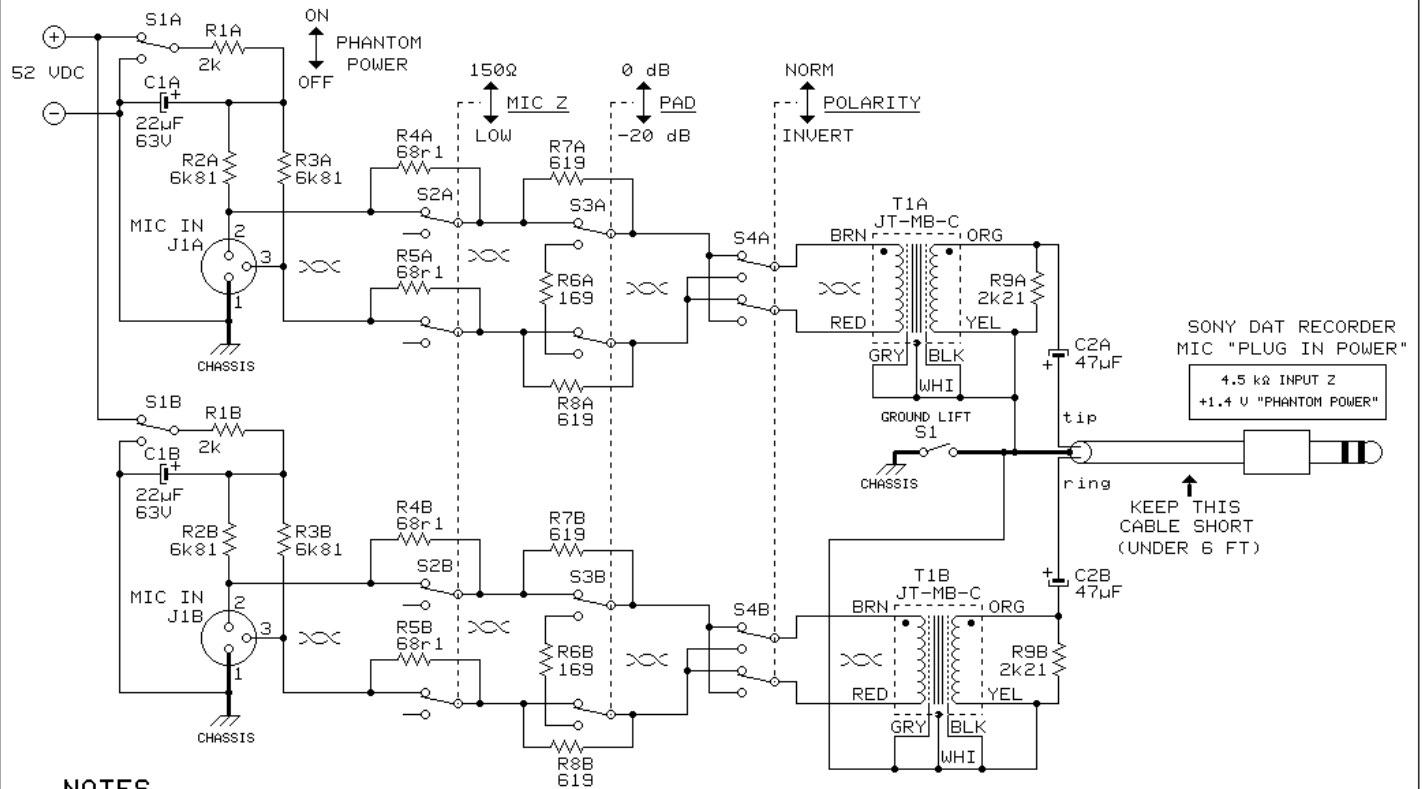


JT-MB-C "REAL" MIC INPUTS & PHANTOM POWER FOR SONY DAT



NOTES

1. ALL RESISTORS ARE $\pm 1\%$ $1/4w$ METAL FILM TYPES, ROEDERSTEIN MK2-1 OR EQUIVALENT
ALL VALUES IN OHMS (6k81 = 6.81k), R1 AND R2 SHOULD BE MATCHED TO $\pm 0.1\%$ FOR
BEST COMMON MODE REJECTION
2. USE ONLY QUALITY SWITCHES WITH GOLD PLATED "VIRGIN" CONTACTS AT S1 AND S2
3. USE OF GOLD PLATED CONTACTS IN XLR CONNECTOR AT J1 IS HIGHLY RECOMMENDED
4. TIGHTLY TWIST LEADS SHOWN AS ∞ TO MINIMIZE ELECTROMAGNETIC PICKUP

© COPYRIGHT 1992, 1995 JENSEN TRANSFORMERS, INC.

jensen	AS037
	07/28/93
7135 HAYVENHURST AVE. VAN NUYS, CALIFORNIA 91406 (818) 374-5857	