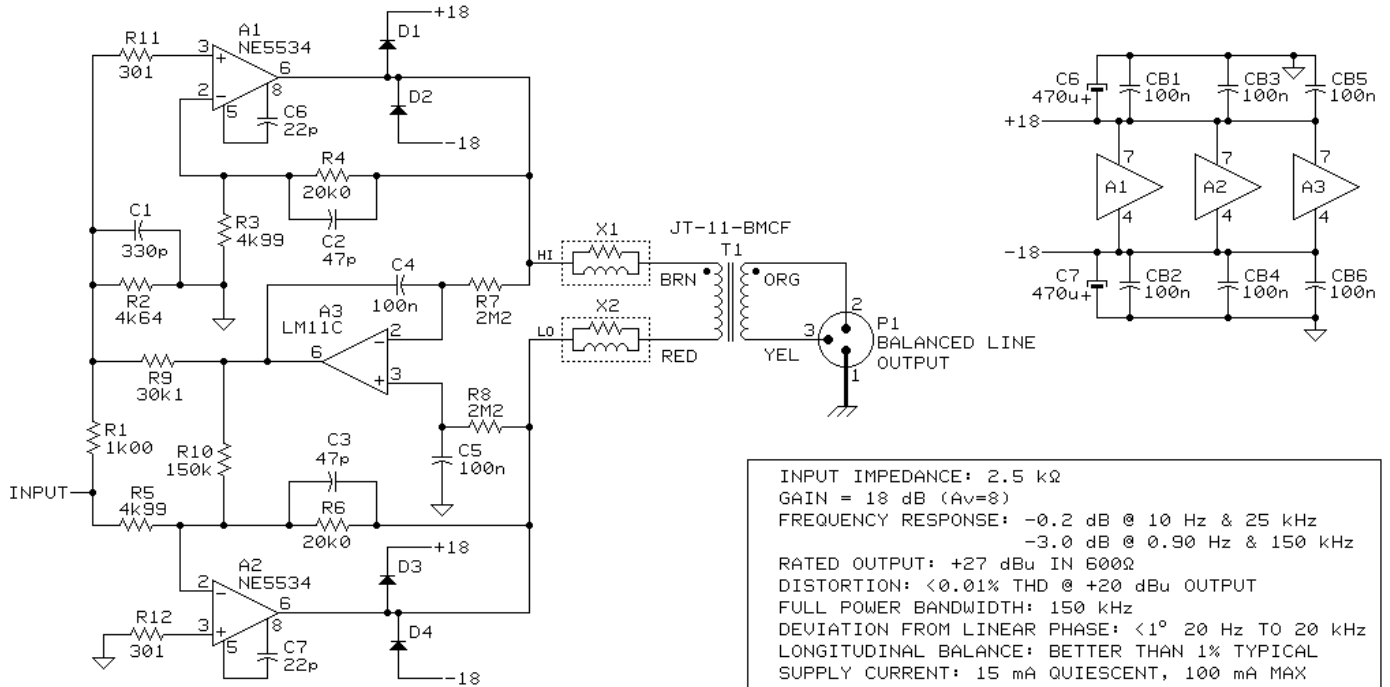


JT-11-BM HIGH LEVEL DIFFERENTIAL IC OUTPUT STAGE WITH DC SERVO

THIS DRIVER SUITABLE FOR LOADS OF 600Ω MINIMUM AND UP TO 50 FEET OF TYPICAL CABLE



INPUT IMPEDANCE: 2.5 kΩ
 GAIN = 18 dB (Av=8)
 FREQUENCY RESPONSE: -0.2 dB @ 10 Hz & 25 kHz
 -3.0 dB @ 0.90 Hz & 150 kHz
 RATED OUTPUT: +27 dBu IN 600Ω
 DISTORTION: <0.01% THD @ +20 dBu OUTPUT
 FULL POWER BANDWIDTH: 150 kHz
 DEVIATION FROM LINEAR PHASE: <1° 20 Hz TO 20 kHz
 LONGITUDINAL BALANCE: BETTER THAN 1% TYPICAL
 SUPPLY CURRENT: 15 mA QUIESCENT, 100 mA MAX

NOTES

1. ALL RESISTORS ARE ±1% 1/4w METAL FILM TYPES, ROEDERSTEIN MK2-1 OR EQUIVALENT
2. D1 THRU D4 ARE HIGH CONDUCTANCE DIODES, SUCH AS 1N4448 or 1N4002
3. ALL CAPACITORS ARE POLYPROPYLENE, POLYSTYRENE, OR NP0/C0G CERAMIC TYPES
4. X1 AND X2 ARE OUTPUT LOAD ISOLATORS, JENSEN #JT-OLI-2
5. USE GOOD HIGH FREQUENCY CONSTRUCTION TECHNIQUES.
 (USE OF POWER & GROUND PLANES IS HIGHLY RECOMMENDED)

jensen	AS030
	09/18/95
7135 HAYVENHURST AVE. VAN NUYS, CALIFORNIA 91406 (818) 374-5857	