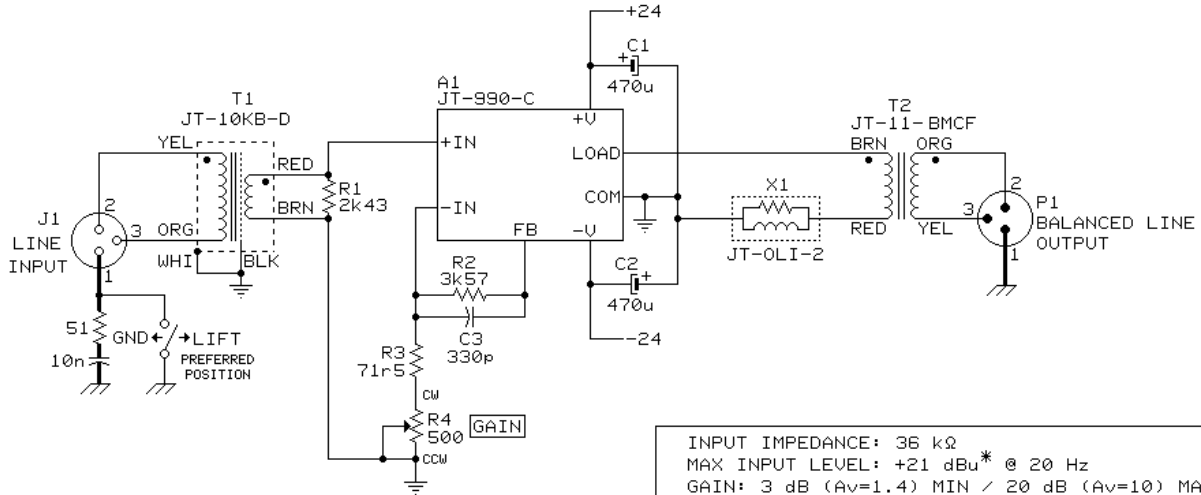


JT-10KB-D + JT-990-C + JT-11-BM = ULTRA-HIGH PERFORMANCE LINE DRIVER

THIS DRIVER SUITABLE FOR LOADS OF 300Ω MINIMUM AND UP TO 500 FEET OF TYPICAL CABLE



INPUT IMPEDANCE: 36 kΩ
 MAX INPUT LEVEL: +21 dBu* @ 20 Hz
 GAIN: 3 dB (Av=1.4) MIN / 20 dB (Av=10) MAX
 FREQUENCY RESPONSE: -0.2 dB @ 10 Hz & 25 kHz
 -3.0 dB @ 0.90 Hz & 150 kHz
 MAX OUTPUT LEVEL: +26 dBu INTO 600 Ω LOAD
 DISTORTION: <0.03% THD @ +20 dBu 20 Hz OUTPUT
 FULL POWER BANDWIDTH: 150 kHz
 OUTPUT SOURCE IMPEDANCE: 80 Ω
 DEVIATION FROM LINEAR PHASE: <1° 20 Hz TO 20 kHz
 SUPPLY CURRENT: 25 mA QUIESCENT, 300 mA MAX

NOTES

- 1.*MAX INPUT LEVEL CAN BE INCREASED TO +24 dBu BY SUBSTITUTING JT-6110K-B AT T1.
2. POTENTIOMETER R4 MAY BE LINEAR OR REVERSE LOG TAPER, CONDUCTIVE PLASTIC TYPE RECOMMENDED.
3. ALL RESISTORS ARE ±1% 1/4w METAL FILM TYPES, ROEDERSTEIN MK2-1 OR EQUIVALENT
 (2k21 = 2.21 kΩ, 71r5 = 71.5 Ω)
4. ALL CAPACITORS ARE POLYPROPYLENE, POLYSTYRENE, OR NP0/C0G CERAMIC TYPES
5. USE GOOD HIGH FREQUENCY CONSTRUCTION TECHNIQUES. USE OF POWER & GROUND PLANES IS HIGHLY RECOMMENDED.
6. X1 IS JENSEN #JT-OLI-2 LOAD ISOLATOR.

jensen	AS027
	09/18/95
7135 HAYVENHURST AVE. VAN NUYS, CALIFORNIA 91406 (818) 374-5857	