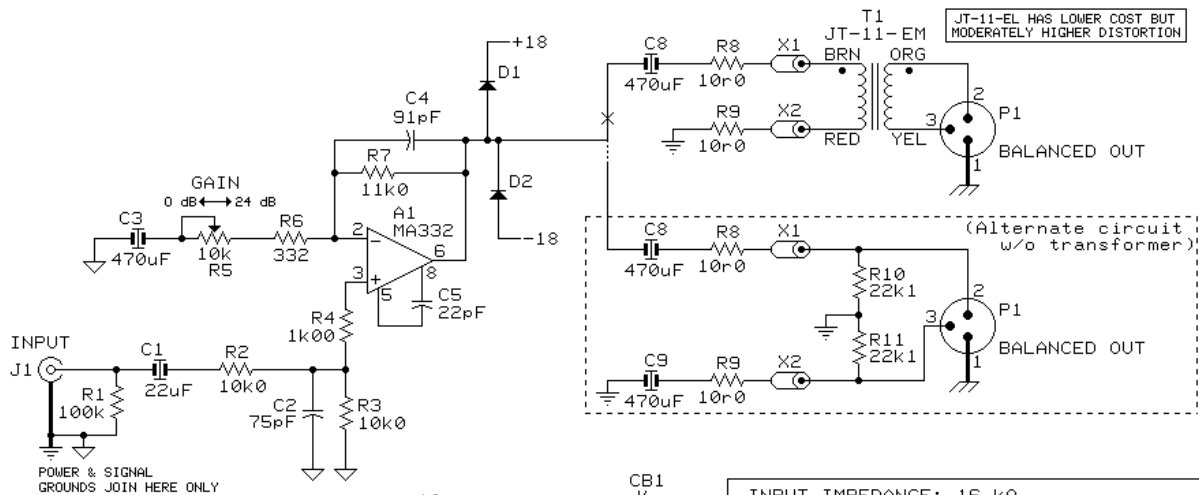


SIMPLE 0 to 24 dB GAIN AMPLIFIER AND BALANCED LINE DRIVER

THIS DRIVER SUITABLE FOR LOADS OF 600Ω MINIMUM AND UP TO 50 FEET OF TYPICAL CABLE (C ≤ 2500 pF)



NOTES :

- EXCEPT R5, ALL RESISTORS ARE ±1% 1/4w METAL FILM TYPES, ROEDERSTEIN MK2-1 OR EQUIVALENT
R5 IS 10 kΩ TRIMPOT OR REVERSE LOG TAPER CONDUCTIVE PLASTIC POTENTIOMETER
ALL RESISTORS IN OHMS (10k0 = 10.0k & 10r0 = 10.0)
- C1, C3, C8, & C9 ARE BI-POLAR ELECTROLYTICS, PANASONIC IS A RECOMMENDED SOURCE
CB1 & CB2 ARE MOUNTED VERY CLOSE TO A1
ALL OTHER CAPACITORS ARE POLYPROPYLENE, POLYSTYRENE, OR NP0/C0G CERAMIC TYPES
- X1 AND X2 ARE JENSEN #FB-2 FERRITE BEADS, D1 AND D2 ARE 1N4448 OR EQUIVALENT
- USE GOOD HIGH FREQUENCY CONSTRUCTION TECHNIQUES. USE OF POWER & GROUND PLANES IS HIGHLY RECOMMENDED.

INPUT IMPEDANCE: 16 kΩ
 GAIN RANGE = 0 dB to 24 dB (Av=1 to 16)
 FREQUENCY RESPONSE: -0.2 dB @ 1.8 Hz & 22 kHz
 -3.0 dB @ 0.7 Hz & 80 kHz
 MAXIMUM OUTPUT: +21 dBu INTO 600Ω
 DISTORTION: <0.1% THD 20 Hz-20 kHz @ +16 dBu OUT
 FULL POWER BANDWIDTH: >100 kHz
 DEVIATION FROM LINEAR PHASE: <3° 20 Hz-20 kHz
 OUTPUT IMPEDANCE: 100 Ω (UNBAL VERSION = 20 Ω)

© COPYRIGHT 1987, 1995 JENSEN TRANSFORMERS, INC.

| | |
|---|----------|
| jensen | AS022 |
| | 09/14/95 |
| 7135 HAYVENHURST AVE. VAN NUYS, CALIFORNIA 91406 (818) 374-5857 | |