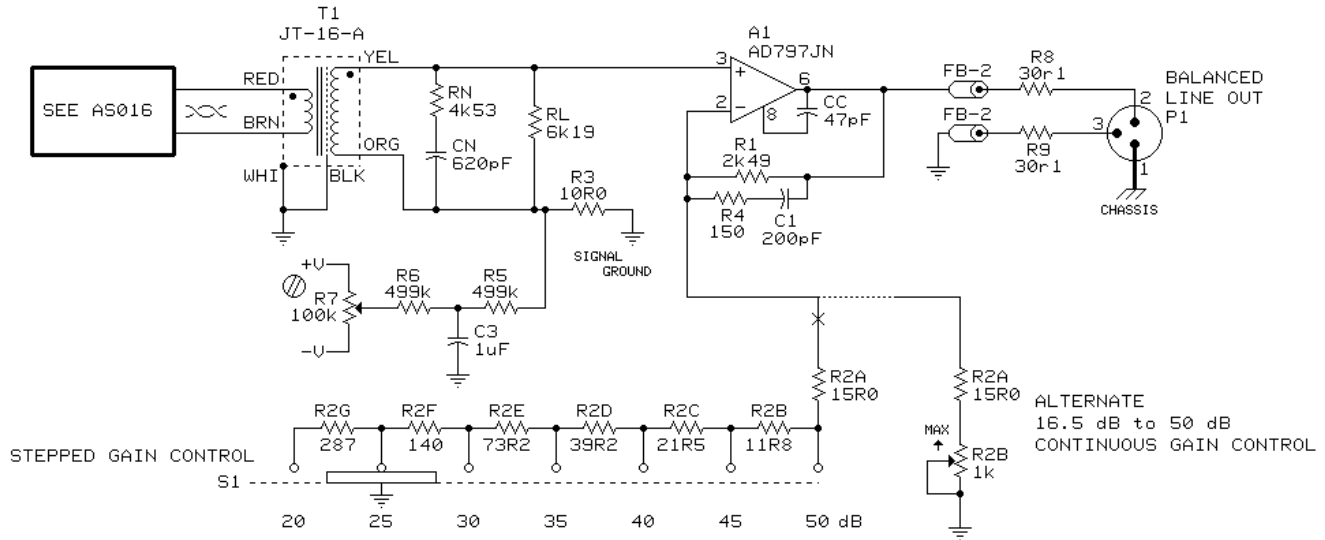


# JT-16-A IN SINGLE STAGE LOW NOISE IC MIC PREAMP

GAIN VARIABLE FROM 20 dB TO 50 dB IN 5 dB STEPS OR FROM 16.5 dB TO 50 dB CONTINUOUSLY



## NOTES

- ADJUST R7 FOR NO "CLICKS" OR OUTPUT DC SHIFT AS GAIN IS VARIED. (OUTPUT MAY HAVE UP TO 15 mV DC OFFSET)
- ALL RESISTORS ARE  $\pm 1\%$  1/4w METAL FILM TYPES, ROEDERSTEIN MK2-1 OR EQUIVALENT
- ALL RESISTORS IN OHMS ( 6k19 = 6.19k, 30r1 = 30.1 )
- S1 IS A MAKE-BEFORE-BREAK OR SHORTING TYPE SWITCH
- ALTERNATE R2B IS A REVERSE LOG TAPER CONDUCTIVE PLASTIC POTENTIOMETER
- RN, CN, AND RL ARE AS SPECIFIED ON TRANSFORMER DATA SHEET
- MOUNT R1 AS CLOSE AS POSSIBLE TO A1 TO PREVENT POSSIBLE SPURIOUS OSCILLATIONS
- USE OF GOLD PLATED CONTACTS IN XLR CONNECTORS IS HIGHLY RECOMMENDED
- TIGHTLY TWIST LEADS AS SHOWN  $\infty$
- KEEP ALL WIRING AS SHORT AS POSSIBLE
- BYPASS IC POWER PINS WITHIN 1/4" OF PIN WITH HIGH QUALITY CAPACITORS
- GROUND PLANE CONSTRUCTION IS HIGHLY RECOMMENDED

<b>jensen</b>	AS018
	09/13/95
7135 HAYVENHURST AVE. VAN NUYS, CALIFORNIA 91406 (818) 374-5857	