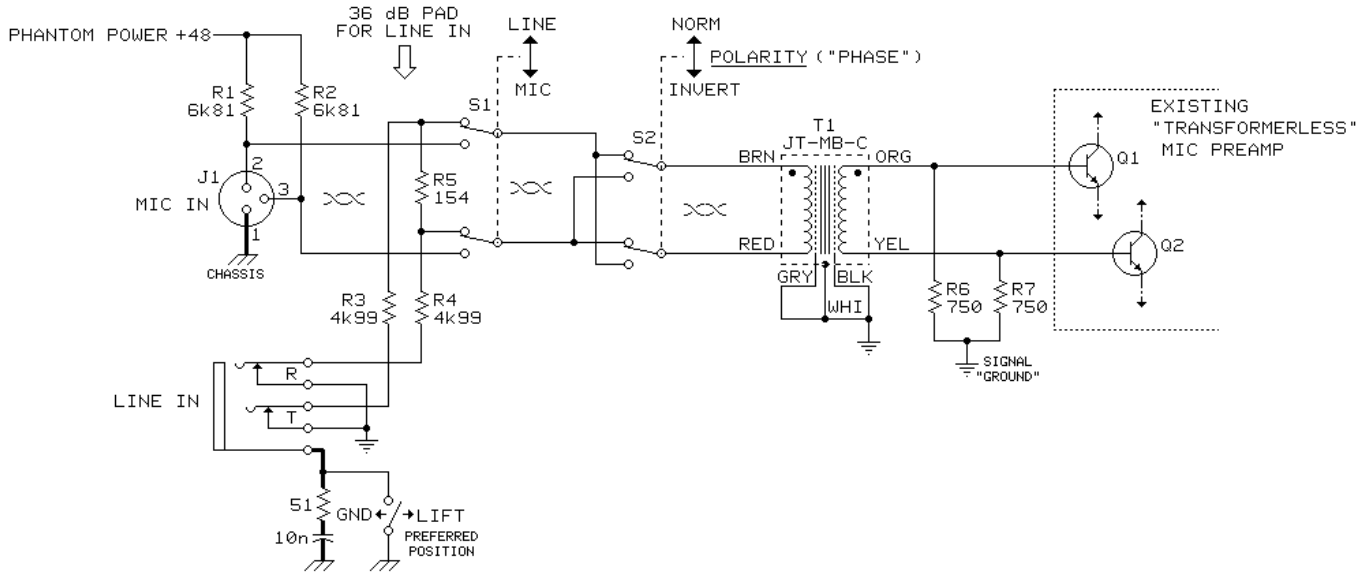


# JT-MB-C ISOLATES BOTH MIC AND LINE INPUTS OF INEXPENSIVE MIXER



## NOTES

1. ALL RESISTORS ARE  $\pm 1\%$  1/4w METAL FILM TYPES, ROEDERSTEIN MK2-1 OR EQUIVALENT
2. TIGHTLY TWIST LEADS AS SHOWN  $\infty$  IN PATH FROM J1 TO T1 TO MINIMIZE ELECTROMAGNETIC PICKUP
3. RESISTORS R1 AND R2 SHOULD BE MATCHED TO  $\pm 0.1\%$  FOR BEST COMMON MODE NOISE REJECTION
4. USE ONLY QUALITY SWITCHES WITH GOLD PLATED "VIRGIN" CONTACTS AT S1 AND S2
5. USE OF GOLD PLATED CONTACTS IN XLR CONNECTOR AT J1 IS HIGHLY RECOMMENDED
6. ALL RESISTORS IN OHMS ( 6k81 = 6.81k )

<b>jensen</b>	AS015
	09/13/95
7135 HAYVENHURST AVE. VAN NUYS, CALIFORNIA 91406 (818) 374-5857	

© COPYRIGHT 1992, 1995 JENSEN TRANSFORMERS, INC.