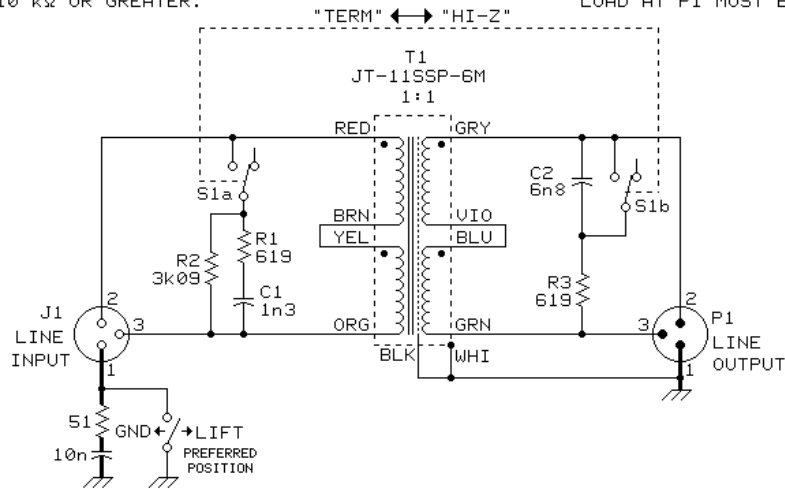


# JT-11SSP-6M LOW-Z LINE ISOLATOR WITH TERMINATION SWITCH

USE "TERM" POSITION FOR 600 Ω SOURCES THAT MUST BE LOADED (TERMINATED) WITH 600 Ω. LOAD AT P1 MUST BE 10 kΩ OR GREATER.

USE "HI-Z" POSITION FOR ORDINARY SOURCES WITH OUTPUT IMPEDANCES OF 100 Ω OR LESS. LOAD AT P1 MUST BE 1 kΩ OR GREATER.



## NOTES

1. J1 HOUSING SHOULD BE INSULATED FROM THE CHASSIS. IF THE MATING CONNECTORS TIE PIN 1 TO THE SHELL, THE GROUND LIFT SWITCH WILL HAVE NO EFFECT.
2. S1 IS A DPDT SWITCH, GOLD CONTACTS PREFERRED.
3. PREFERRED TYPES FOR C1 AND C2 ARE POLYSTYRENE OR POLYPROPYLENE, RATED AT 50 VDC OR MORE.

<b>jensen</b>	AS009
	09/13/95
7135 HAYVENHURST AVE. VAN NUYS, CALIFORNIA 91406 (818) 374-5857	