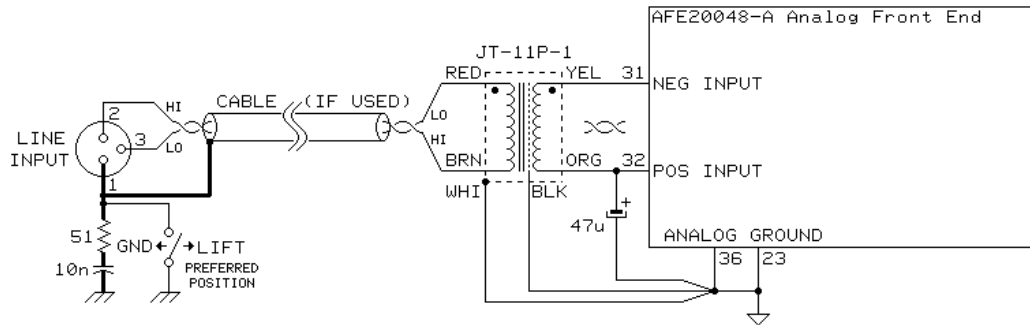


JT-11P-1 INPUT TO ULTRA ANALOG 20 BIT A/D CONVERTER



NOTES

1. CASE OF TRANSFORMER MUST BE INSULATED FROM CHASSIS OR OTHER GROUNDS FOR BEST NOISE REJECTION.
2. IF USED, ANY CABLE BETWEEN TRANSFORMER AND MODULE MUST BE VERY SHORT (2 FEET RECOMMENDED MAX).
3. POLARITY REVERSAL, IS DONE AT THE TRANSFORMER PRIMARY IN ORDER TO USE THE "NEG INPUT" OF THE MODULE, WHICH LOADS THE TRANSFORMER PERFECTLY WITH 10kΩ. NO RC DAMPING NETWORK IS REQUIRED.
4. INPUT IMPEDANCE AT THE LINE INPUT IS ABOUT 13kΩ OHMS DIFFERENTIAL or "BRIDGING".
5. WE RECOMMEND USING THE ±5V INPUT RANGE, WHICH MAKES DIGITAL FULL SCALE ABOUT +15 dBu AT THE INPUT.

jensen	AS006
	09/13/95
7135 HAYVENHURST AVE. VAN NUYS, CALIFORNIA 91406 (818) 374-5857	

© COPYRIGHT 1992, 1995 JENSEN TRANSFORMERS, INC.