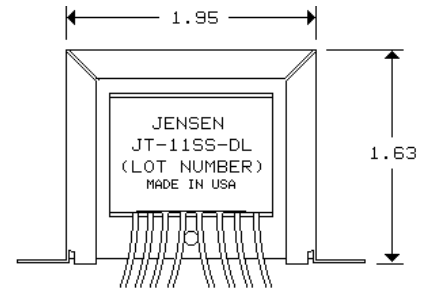


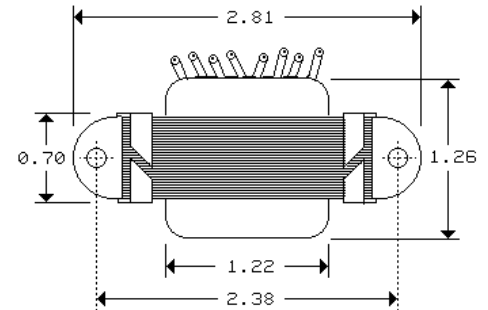
LINE OUTPUT TRANSFORMER SPLIT BIFILAR WINDINGS

- Distortion 0.025% typ at 20 Hz and +4 dBu output level
- Wide bandwidth: -3 dB at 0.25 Hz and 630 kHz
- Drives 600 Ω loads to levels up to +30 dBu at 20 Hz
- Excellent time domain performance: DLP 0.6° typ 20 Hz to 20 kHz
- Loading loss only 1.1 dB when driving 600 Ω load

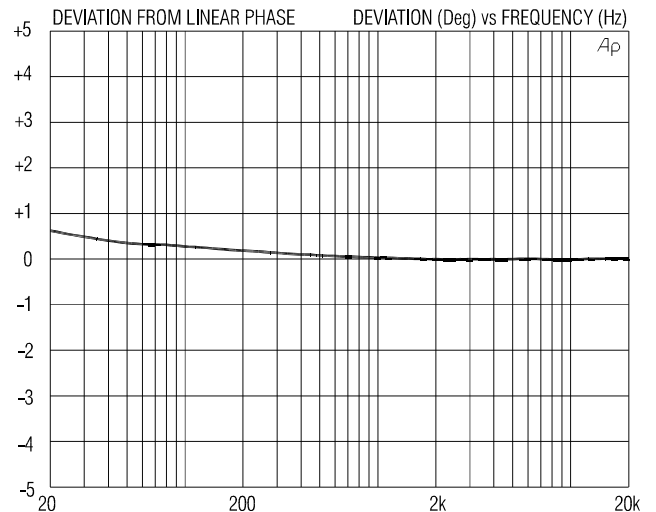
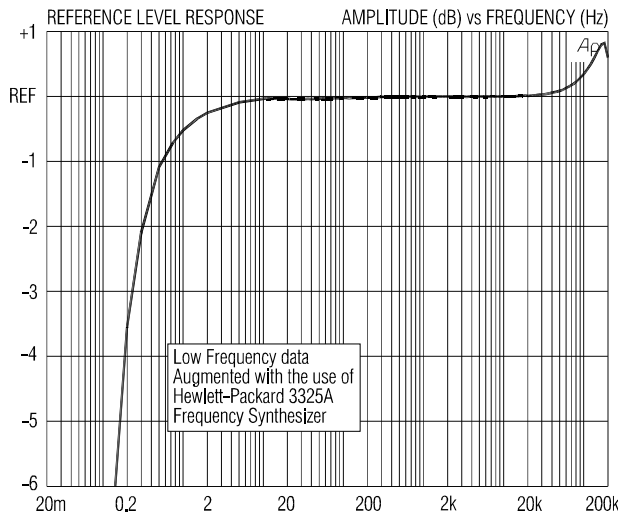
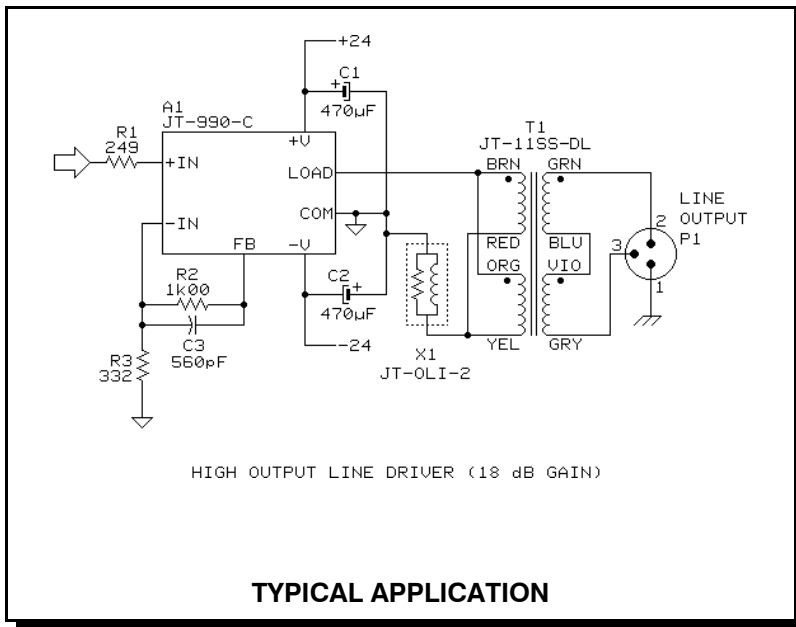
This transformer is designed for high performance line output stages requiring high output levels and is characterized for 1:2 step-up operation. **For operation as 1:1, see companion data sheet.** For best performance, driving signals should be free of DC and source impedance kept as low as possible.

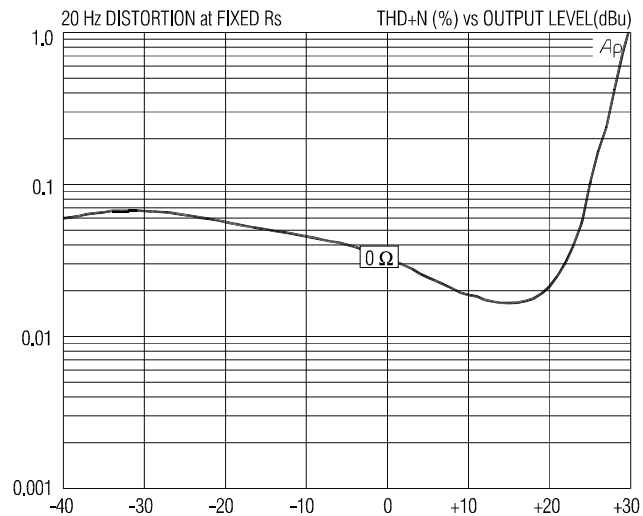
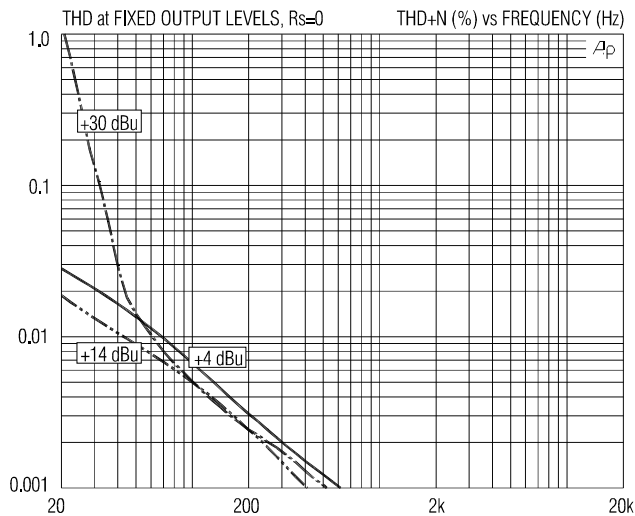


#26 AWG (7x34) UL STYLE 1061 COLOR CODED WIRE LEADS, 8" MINIMUM LENGTH



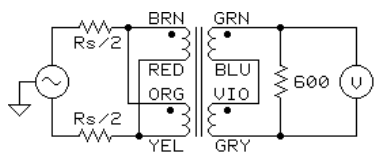
0.187 DIA MOUNTING HOLES (2 PLACES) FOR USE WITH #8 MOUNTING HARDWARE



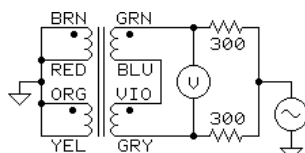


JT-11SS-DLCF SPECIFICATIONS (1:2 parallel/series configuration, all levels are output unless noted)

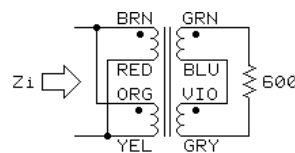
| PARAMETER | CONDITIONS | MINIMUM | TYPICAL | MAXIMUM |
|---|--|-----------|----------|---------|
| Input impedance, Zi | 20 Hz to 20 kHz, 0 dBu, test circuit 3 | 160 Ω | 169 Ω | 178 Ω |
| Voltage gain | 1 kHz, 0 dBu, test circuit 1, Rs=0 Ω | +4.7 dB | +4.9 dB | +5.0 dB |
| Magnitude response, ref 1 kHz | 20 Hz, 0 dBu, test circuit 1, Rs=0 Ω | -0.1 dB | -0.05 dB | ±0.0 dB |
| | 20 kHz, 0 dBu, test circuit 1, Rs=0 Ω | -0.1 dB | +0.02 dB | +0.1 dB |
| Deviation from linear phase (DLP) | 20 Hz to 20 kHz, 0 dBu, test circuit 1, Rs=0 Ω | | +0.9/-0° | ±2.0° |
| Bandwidth | LF -3 dB re 1 kHz, test circuit 1, Rs=0 Ω | | 0.25 Hz | |
| | HF -3 dB re 1 kHz, test circuit 1, Rs=0 Ω | | 630 kHz | |
| Distortion (THD) | 1 kHz, +4 dBu, test circuit 1, Rs=0 Ω | | <0.001% | |
| | 20 Hz, +4 dBu, test circuit 1, Rs=0 Ω | | 0.025% | 0.1% |
| Maximum output level | 20 Hz, 1% THD, test circuit 1, Rs=0 Ω | +28 dBu | +30 dBu | |
| Common-mode rejection ratio (CMRR) | 60 Hz, test circuit 2 | | 107 dB | |
| | 3 kHz, test circuit 2 | 65 dB | 77 dB | |
| Output impedance, Zo | 20 Hz to 20 kHz, 0 dBu, test circuit 4 | | 79 Ω | |
| DC resistance | each winding | | 20 Ω | |
| Capacitance | both primaries to both secondaries, 1 kHz | | 27 nF | |
| | all windings to frame, 1 kHz | | 60 pF | |
| Turns ratio | any winding to any other winding | 0.999:1 | 1.000:1 | 1.001:1 |
| Temperature range | operation or storage | 0° C | | 70° C |
| Breakdown voltages 60 Hz, 1 minute test duration (see IMPORTANT NOTE below) | winding to winding | 250 V RMS | | |
| | winding to frame | 500 V RMS | | |



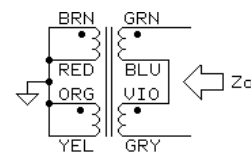
TEST CIRCUIT 1



TEST CIRCUIT 2



TEST CIRCUIT 3



TEST CIRCUIT 4

All minimum and maximum specifications are guaranteed. Unless noted otherwise, all specifications apply at 25°C. Specifications subject to change without notice. All information herein is believed to be accurate and reliable, however no responsibility is assumed for its use nor for any infringements of patents which may result from its use. No license is granted by implication or otherwise under any patent or patent rights of Jensen Transformers, Inc.

IMPORTANT NOTE: This device is NOT intended for use in life support systems or any application where its failure could cause injury or death. The breakdown voltage specification is intended to insure integrity of internal insulation systems; continuous operation at these voltages is NOT recommended. Consult our applications engineering department if you have special requirements.

JENSEN TRANSFORMERS, INC., 7135 Hayvenhurst Avenue, Van Nuys, CA 91406-3807, USA
(818) 374-5857 • FAX (818) 374-5856 • www.jensen-transformers.com