



DB-2RM-WP Wall mount DI

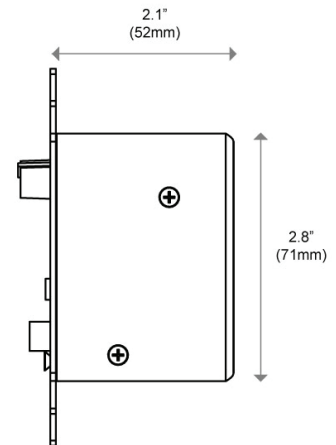
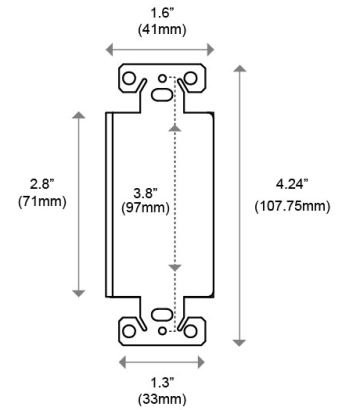
- Easy to use control panel
- Passive design, no power needed
- Contractor friendly screw terminals
- Transformer isolated eliminates noise

The Iso·Max DB-2RM-WP is a stereo direct box made to fit in a standard single-gang electrical wall plate. This provides the AV integrator with a simple, yet effective means of connecting an unbalanced analog audio source such as the headphone output from a laptop computer, iPhone, tablet or line level source such as a CD player to a balanced audio system via a permanently mounted interface.

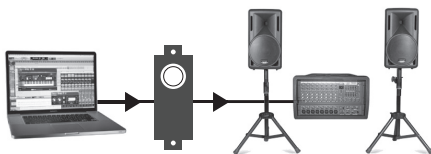
The design begins with all-steel construction for maximum durability and a fully shielded back box to help eliminate pollution from electromagnetic fields caused by dimmers, ballasts, power cables and transformers. Front panel 3.5mm TRS and RCA connectors provide a standard interface for any stereo source and a fully variable level control makes volume adjustments easy. Inside, the DB-2RM-WP employs two great sounding transformers to convert the high impedance signal to a balanced low impedance capable of driving cables upwards to 100 meters (300') without noise. Transformers further benefit by eliminating hum and buzz caused by so-called ground loops and stray DC voltages that are common when interfacing consumer grade audio devices with professional audio systems. This is augmented with a set & forget ground lift switch. Should channel count be a problem, a recessed mono switch passively sums the stereo signal to a single output. The outputs feature screw terminals with tie-down points for tie-wraps to make installation fast, efficient and permanent.

Finished in a durable black powder coat and sized to fit a standard Decora wall plate, the DB-2RM-WP looks sharp with any color faceplate while providing clear labeling for easy manipulation for the pros and novices alike.

Dimensions

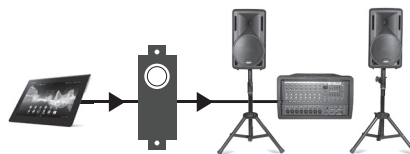


Applications



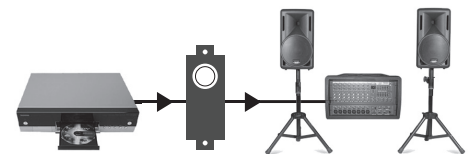
Using the DB-2RM-WP with a Laptop

Connect the mini TRS audio jack from your laptop directly to the 3.5mm input on the DB-2RM-WP and it automatically converts the unbalanced signal to a lo-Z balanced line to feed the PA system up to 100 meters away.



Using the DB-2RM-WP with a tablet

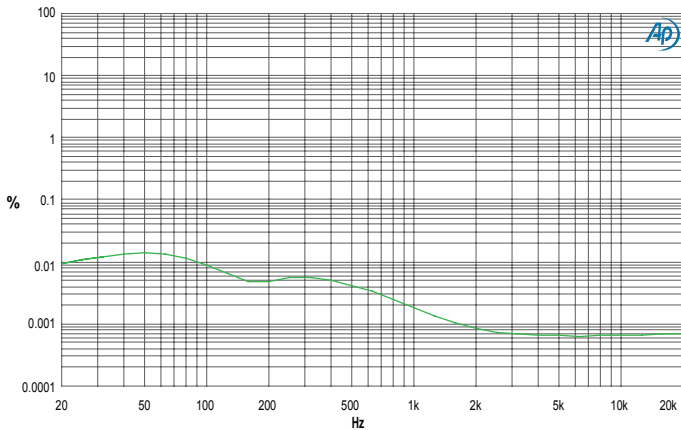
No need to convert from digital to analog! Simply connect the headphone out from your tablet or cell phone to the DB-2RM-WP and let it do the work. Adjust the volume using the convenient front panel level control and sum to mono if need be.



Using the DB-2RM-WP with a CD player

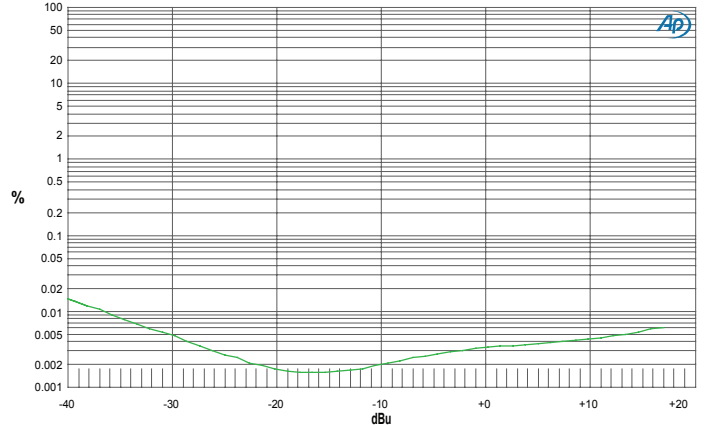
Connect the line level output from your CD player or hi-fi using the convenient RCA jacks to feed the PA system at the far end of the room. Adjust the volume level from the source, the DB-2RM-WP wall plate or the mixer channel.

THD at FIXED INPUT LEVELS



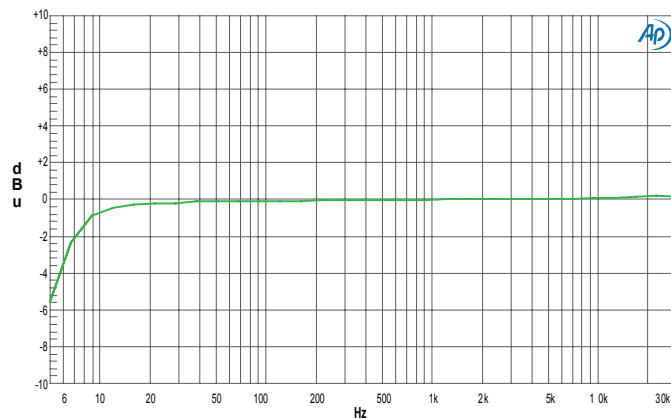
THD+N (%) vs FREQUENCY (Hz)

THD at FIXED FREQUENCIES



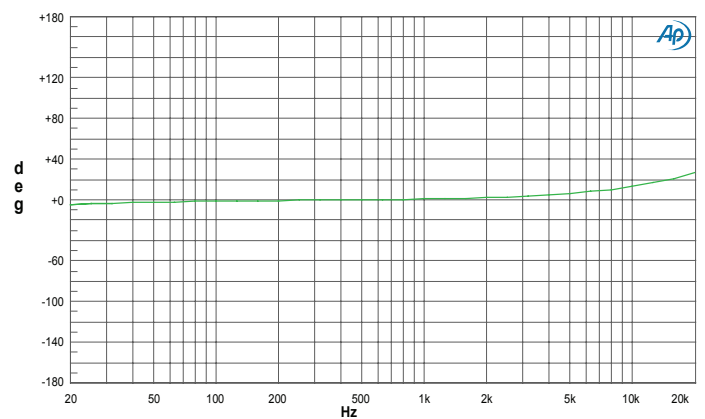
THD+N (%) vs INPUT LEVEL (dBu)

REFERENCE LEVEL RESPONSE



AMPLITUDE (dB) vs FREQUENCY (Hz)

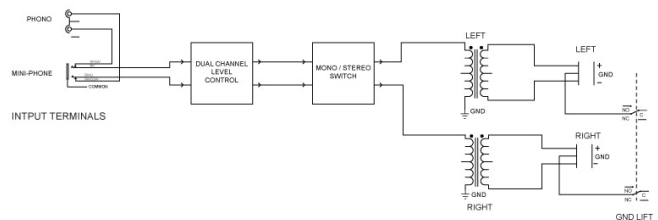
DEVIATION FROM LINEAR PHASE



DEVIATION (Deg) vs FREQUENCY (Hz)

SPECIFICATIONS	
Audio circuit type:	Passive transformer isolated
Frequency response:	20Hz - 20kHz
Dynamic range:	>120dB
Equivalent input noise:	-98dBu
Maximum input:	+20dBu
Total harmonic distortion:	0.002%
Input impedance:	Approx 10K with 100K Load
Gain:	-3dB
Clip level - output:	+17dBu
Stereo Separation:	>77dB
Temperature range	operation or storage

BLOCK DIAGRAM



All minimum and maximum specifications are guaranteed. Unless noted otherwise, all specifications apply at 25°C. Specifications subject to change without notice. All information herein is believed to be accurate and reliable, however no responsibility is assumed for its use nor for any infringements of patents which may result from its use. No license is granted by implication or otherwise under any patent or patent rights of Jensen Transformers, Inc.

*IMPORTANT NOTE: THIS PRODUCT IS NOT INTENDED FOR USE IN CIRCUMSTANCES WHERE THE DC OR PEAK AC VOLTAGE BETWEEN INPUT AND OUTPUT CONNECTIONS EXCEEDS 34 VOLTS OR WHERE ITS FAILURE COULD CAUSE INJURY OR DEATH.