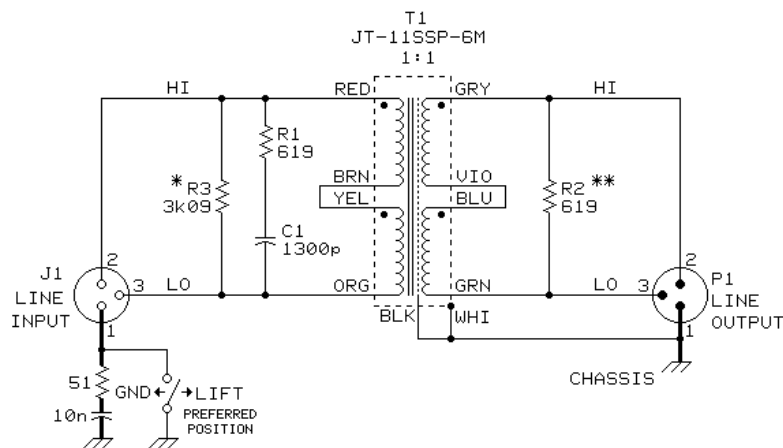


JT-11SSP-6M 600 OHM LINE ISOLATION APPLICATION



* INPUT IMPEDANCE IS 743 OHMS WITHOUT R3. IF 600 OHM INPUT IMPEDANCE IS REQUIRED, USE R3 AS SHOWN.

** IF OUTPUT LOAD IS 600 OHM "TERMINATED", DELETE R2. IF OUTPUT LOAD IS HIGH IMPEDANCE "BRIDGING", USE R2 AS SHOWN.

1. THE HOUSING OF J1 SHOULD BE INSULATED FROM THE CHASSIS. OTHERWISE, IF THE MATING CONNECTORS USED HAVE PIN 1 TIED TO THE SHELL, THE GROUND LIFT SWITCH WILL HAVE NO EFFECT.
2. PREFERRED TYPE FOR C1 IS POLYSTYRENE, POLYPROPYLENE, OR NPO/C0G CERAMIC RATED AT 50 VDC OR MORE.

jensen	AS010
	09/13/95
7135 HAYVENHURST AVE. VAN NUYS, CALIFORNIA 91406 (818) 374-5857	

© COPYRIGHT 1992, 1995 JENSEN TRANSFORMERS, INC.